



**Floorcare & Specialty Motors**

**Model: 122176-18**

**SPECIAL FEATURES**

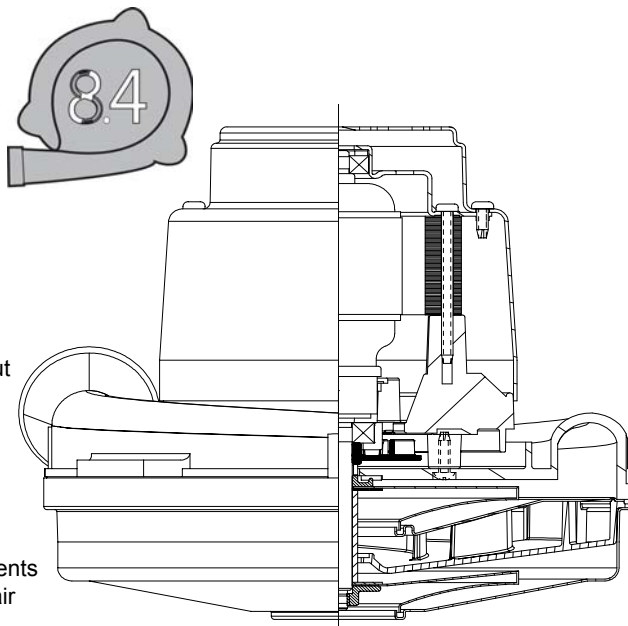
- 1500+ hours life (Infinity Brush)
- 670 Peak Air Watts
- Up to 45% Overall Efficiency
- High efficient cooling system
- Lamb "Green Power Label"
- UL recognized, category PRGY2 (E47185)
- CSA certification pending
- Same mounting patern as Lamb's 7.2 tangential-bypass
- Thermal Device for locked-rotor, blocked cooling air and running overload protection
- Patent-pending bearing protection for wet applications.

**DESCRIPTION**

- Double-stage tapered fan system
- 8.4" / 213 mm diameter
- Improved sound quality
- "True" tangential discharge bracket
- 120 volts AC
- 3.5" High-Efficiency lamination
- Double ball bearings; 10mm output

**DESIGN APPLICATION**

- Commercial and Residential Central Cleaning Systems
- Car wash vac and blower systems
- Equipment operating in environments requiring separation of working air from motor ventilating air
- Designed to handle clean, dry, filtered air only

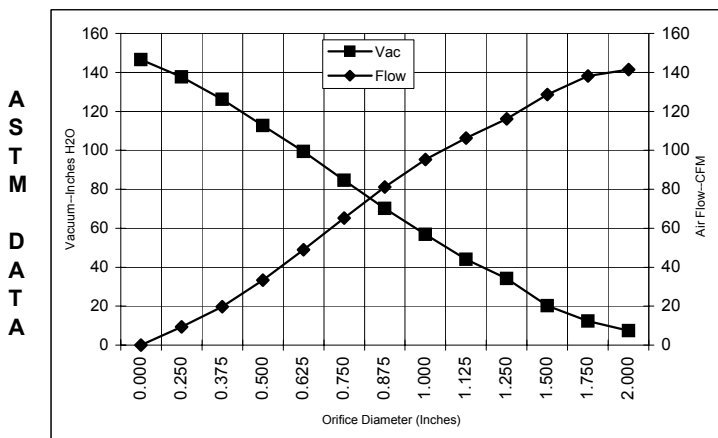


**PRELIMINARY BULLETIN  
(SUBJECT TO CHANGE)**

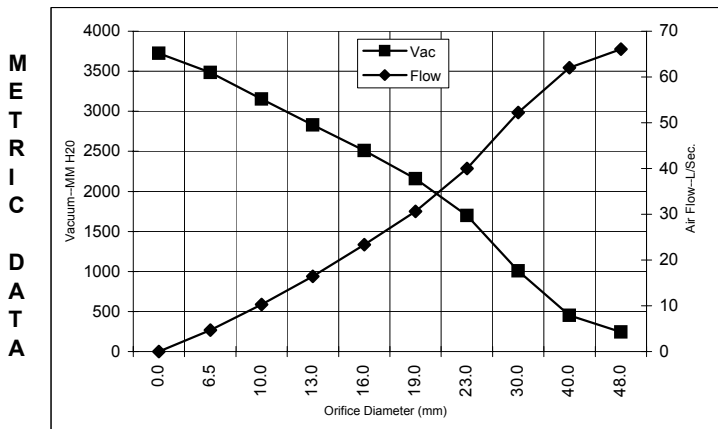
**PEAK AIRWATTS  
673**  
Calculated in accordance with ASTM F2105

**TYPICAL MOTOR PERFORMANCE.\***

(At 120 volts, 60Hz, test data is corrected to standard conditions of 29.92 Hg, 68° F.)



Orifice (Inches)	Amps	Watts (In)	RPM	Vac (In.H <sub>2</sub> O)	Flow (CFM)	Air Watts
2.000	13.7	1549	21890	7.4	141.5	124
1.750	13.7	1551	21910	12.3	138.1	200
1.500	13.8	1560	21860	20.2	128.6	305
1.250	13.6	1547	21930	34.2	116.1	466
1.125	13.5	1535	21990	44.0	106.3	550
1.000	13.6	1539	21990	56.9	95.3	637
0.875	13.4	1516	22080	70.2	81.2	670
0.750	12.9	1463	22520	84.6	65.2	648
0.625	11.8	1348	23220	99.4	48.9	571
0.500	10.7	1222	24310	112.7	33.3	441
0.375	9.3	1079	25970	126.1	19.7	292
0.250	8.3	967	27350	137.7	9.4	152
0.000	7.4	870	29050	146.6	0.0	0



Orifice (mm)	Amps	Watts (In)	RPM	Vac (mm H <sub>2</sub> O)	Flow (L/Sec)	Air Watts
48.0	13.7	1550	21899	243	66.1	157
40.0	13.7	1557	21875	453	62.0	274
30.0	13.6	1540	21963	1006	52.3	512
23.0	13.4	1522	22058	1699	40.0	662
19.0	12.8	1461	22534	2156	30.6	646
16.0	11.9	1353	23192	2510	23.4	574
13.0	10.8	1235	24201	2829	16.5	454
10.0	9.5	1100	25721	3152	10.3	314
6.5	8.4	973	27281	3483	4.7	159
0.0	7.4	870	29050	3724	0.0	0

Note: Metric Performance data is calculated from the ASTM data above.

\* Data represents performance of a typical motor sampled from a large production quantity. Individual motor data may vary due to normal manufacturing variations.

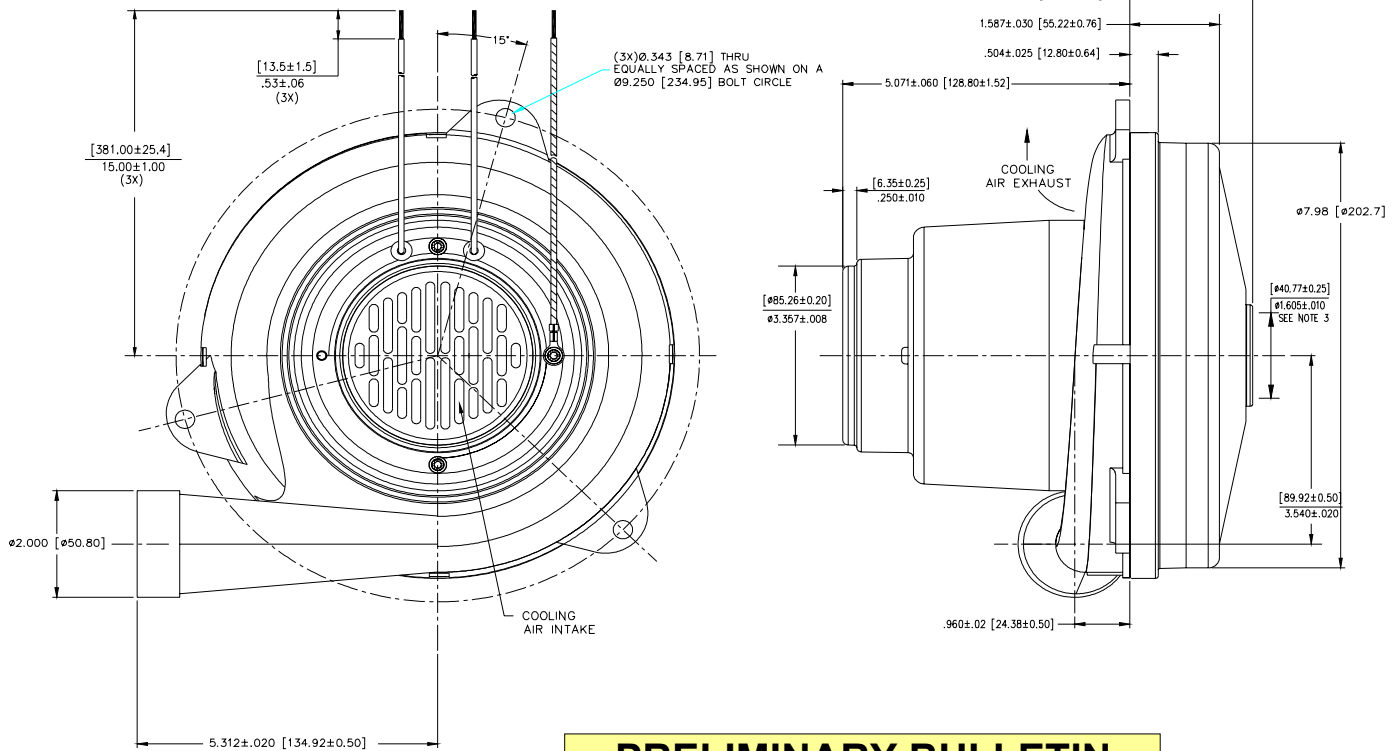
<b>Test Specs:</b>	120	<b>Minimum Sealed Vacuum:</b>	138"	<b>ORIFICE:</b>	7/8"	<b>Minimum Vacuum:</b>	65"	<b>Maximum Watts:</b>	1730
--------------------	-----	-------------------------------	------	-----------------	------	------------------------	-----	-----------------------	------

**DIMENSIONS**



**NOTES:**

1. LEADS: 16GA. STRANDED, BLACK.
2. MOTOR IDENTIFICATION: MANUFACTURER'S NAME, MODEL NUMBER, VOLTAGE, FREQUENCY, INSPECTORS CODE WITH "FF" SUFFIX, DATE OF MANUFACTURE, AGENCY RECOGNITION CODE, PLANT LOCATION CODE, PATENT PENDING\* AND COUNTRY OF ORIGIN.
3. MOUNTING MUST NOT RESTRICT THIS DIAMETER.
4. ALLOW [0.0028 SQ. IN.] / 4.0 SQ. IN. (MIN.) FOR COOLING AIR INTAKE.
5. COOLING AIR INTAKE MUST BE SEPARATED FROM COOLING AIR EXHAUST.
6. COOLING AIR EXHAUST MUST BE SEPARATED FROM VACUUM EXHAUST.



**PRELIMINARY BULLETIN**  
(SUBJECT TO CHANGE)

**IMPORTANT NOTE:** Pictorial and dimensional data are subject to change without notice. Contact factory for current revision levels.

**WARNING** - When using AMETEK Floorcare & Specialty Motors (F&SM) bypass motors in machines that come in contact with foam, liquid (including water), or other foreign substances, the machine must be designed and constructed to prevent those substances from reaching the fan system, motor housing, and electrical components. F&SM vacuum motors other than hazardous duty models should not be applied in machines that come in contact with dry chemicals or other volatile materials. Failure to observe these precautions could cause flashing (depending on volatility) or electrical shock which could result in property damage and severe bodily injury, including death in extreme cases. All applications incorporating F&SM motors should be submitted to appropriate organizations or agencies for testing specifically related to the safety of your equipment.

**AMETEK/Floorcare & Specialty Motors**  
**www.ametekfsm.com**

Issued: February, 2009