



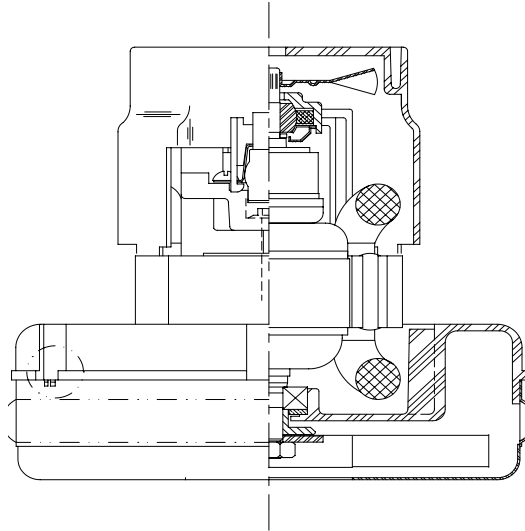
**Model: 117076-50**

**DESCRIPTION**

- One stage
- 120 volts
- 5.7"/145 mm diameter
- Ball/Sleeve bearings
- Single speed
- Peripheral bypass discharge
- Thermoset fan end bracket
- Aluminum commutator bracket

**DESIGN APPLICATION**

- Equipment operating in environments requiring separation of working air from motor ventilating air
- Designed to handle clean, dry, filtered air only



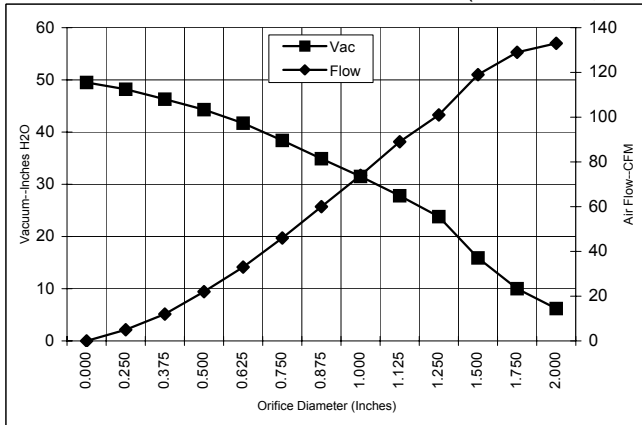
**SPECIAL FEATURES**

- Suitable for 120 volt AC operation, 50/60 Hz
- UL recognized, category PRGY2 (E47185)
- CSA certified, class 1611 01 (LR31393)
- **With Class B insulation**
- Provision for grounding
- Skeleton-frame design
- The Lamb Electric vacuum motor line offers a wide range of performance levels to meet design needs

**TYPICAL MOTOR PERFORMANCE.\***

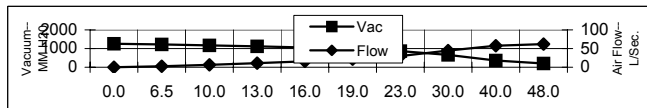
(At 120 volts, 60Hz, test data is corrected to standard conditions of 29.92 Hg, 68° F.)

A  
S  
T  
M  
  
D  
A  
T  
A



Orifice (Inches)	Amps	Watts (In)	RPM	Vac (In.H <sub>2</sub> O)	Flow (CFM)	Air Watts
2.000	7.0	820	18625	6.2	133.0	98
1.750	7.0	827	18575	10.0	129.0	153
1.500	7.0	823	18575	15.9	119.0	224
1.250	6.9	815	18800	23.8	101.0	285
1.125	6.8	798	19000	27.8	89.0	291
1.000	6.5	770	19500	31.5	74.0	278
0.875	6.3	738	19875	34.9	60.0	248
0.750	6.0	707	20450	38.4	46.0	210
0.625	5.7	682	21200	41.7	33.0	165
0.500	5.5	653	21800	44.3	22.0	115
0.375	5.3	628	22300	46.3	12.0	69
0.250	5.1	611	22800	48.2	5.0	32
0.000	4.9	589	23125	49.5	0.0	0

M  
E  
T  
R

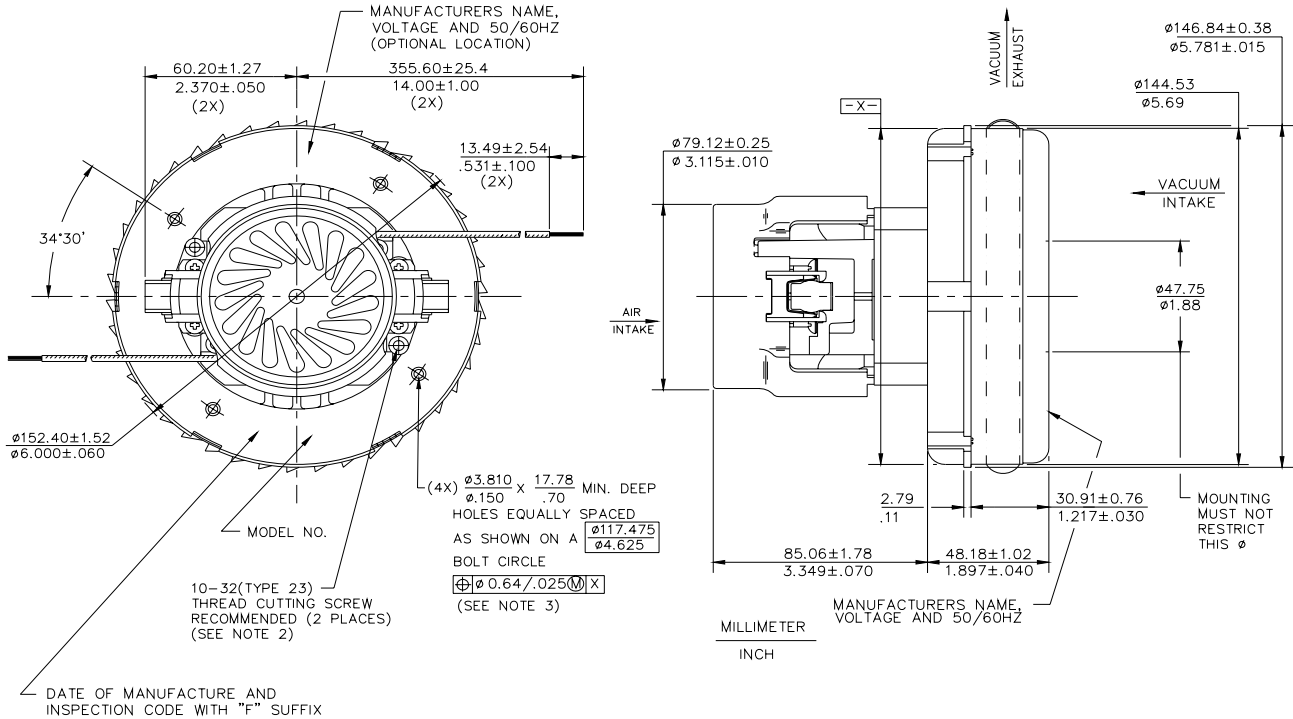


Orifice (mm)	Amps	Watts (In)	RPM	Vac (mm H <sub>2</sub> O)	Flow (L/Sec)	Air Watts
48.0	7.0	823	18603	200	61.9	122
40.0	7.0	824	18575	359	57.6	203
30.0	6.8	806	18910	660	44.6	288

**DIMENSIONS**

NOTES:

1. LEADS: 18 GA STRANDED, LEADS CAN BE ANY COLOR EXCEPT GREEN OR GREEN WITH YELLOW STRIPE.
2. GROUNDING OR EARTHING PROVISIONS: USE HOLES AS INDICATED FOR GROUNDING OR EARTHING. REFER TO APPROPRIATE LISTING OR REGULATORY AGENCY FOR PROPER METHOD OF GROUNDING OR EARTHING.
3. RECOMMENDED SCREW SIZE 10-16 TYPE BT OR TYPE 25 THREAD CUTTING SCREW. MAXIMUM PENETRATION 17.40/.685.



**IMPORTANT NOTE:** Pictorial and dimensional data are subject to change without notice. Contact factory for current revision levels.

**WARNING** - When using AMETEK Lamb Electric bypass motors in machines that come in contact with foam, liquid (including water), or other foreign substances, the machine must be designed and constructed to prevent those substances from reaching the fan system, motor housing, and electrical components. Lamb Electric vacuum motors other than hazardous duty models should not be applied in machines that come in contact with hazardous or other flammable materials. Failure to observe these provisions may result in fire or explosion (depending on the type of contact with the hazardous material).