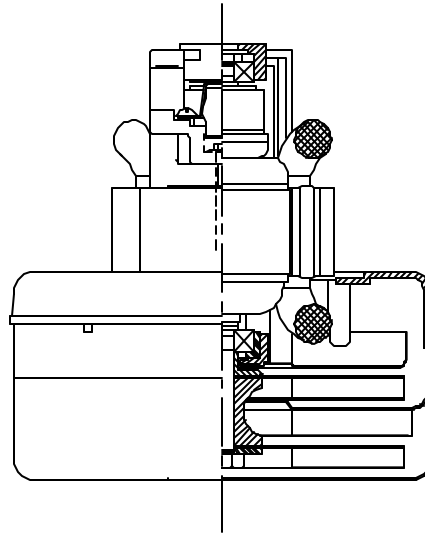


## LAMB ELECTRIC

**Model: 116846-00**

### DESCRIPTION

- Two stage
- 24 volt
- 5.7"/145 mm diameter
- Double ball bearings
- Single speed
- Thru-flow discharge
- Aluminum fan end bracket
- Aluminum commutator bracket



### SPECIAL FEATURES

- Suitable for 24 volt D.C. operation
- UL recognized, category PRGY2 (E47185)
- Provision for grounding
- Skeleton-frame design
- The Lamb Electric motor line offers a wide range of performance levels to meet design needs

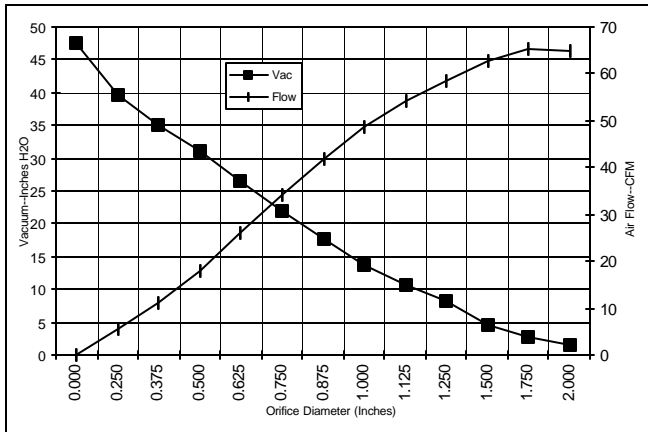
### DESIGN APPLICATION

- Equipment operating in environments not requiring separation of working air from motor ventilating air
- Designed to handle clean, dry, filtered air only

### TYPICAL MOTOR PERFORMANCE.\*

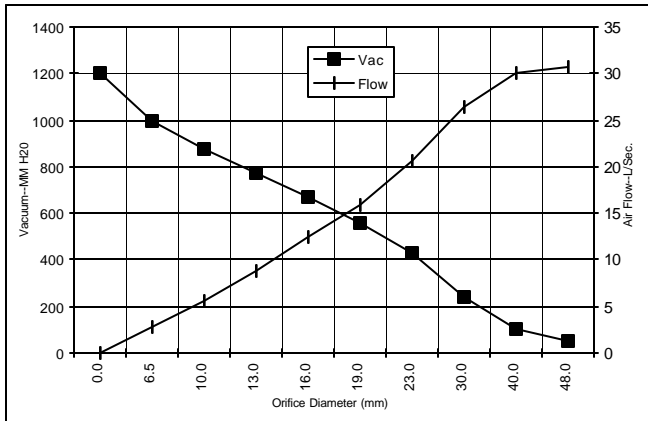
(At 24 volts DC, test data is corrected to standard conditions of 29.92 Hg, 68° F.)

ASTM DATA



Orifice (Inches)	Amps	Watts (In)	RPM	Vac (In.H <sub>2</sub> O)	Flow (CFM)	Air Watts
2.000	15.3	368	12140	1.5	64.7	11
1.750	15.4	371	12070	2.6	65.1	20
1.500	15.6	374	12040	4.6	62.8	34
1.250	15.6	375	11940	8.1	58.3	55
1.125	15.7	376	11940	10.7	54.3	68
1.000	15.6	374	12210	13.8	48.7	79
0.875	15.3	369	12370	17.8	41.7	87
0.750	14.9	357	12570	21.9	34.0	87
0.625	14.2	342	13060	26.4	25.9	80
0.500	13.4	321	13520	31.0	17.8	65
0.375	12.5	301	14080	35.0	11.0	45
0.250	11.7	282	14830	39.5	5.5	26
0.000	11.0	263	15520	47.5	0.0	0

METRIC DATA



Orifice (mm)	Amps	Watts (In)	RPM	Vac (mm H <sub>2</sub> O)	Flow (L/Sec)	Air Watts
48.0	15.4	369	12109	50	30.6	15
40.0	15.5	373	12049	102	30.0	30
30.0	15.7	376	11940	242	26.5	62
23.0	15.4	370	12330	427	20.5	85
19.0	14.9	357	12580	559	16.0	87
16.0	14.2	343	13040	666	12.4	80
13.0	13.5	323	13474	776	8.8	67
10.0	12.6	304	13996	874	5.7	48
6.5	11.7	283	14793	998	2.7	27
0.0	11.0	263	15520	1207	0.0	0

Note: Metric performance data is calculated from the ASTM data above.

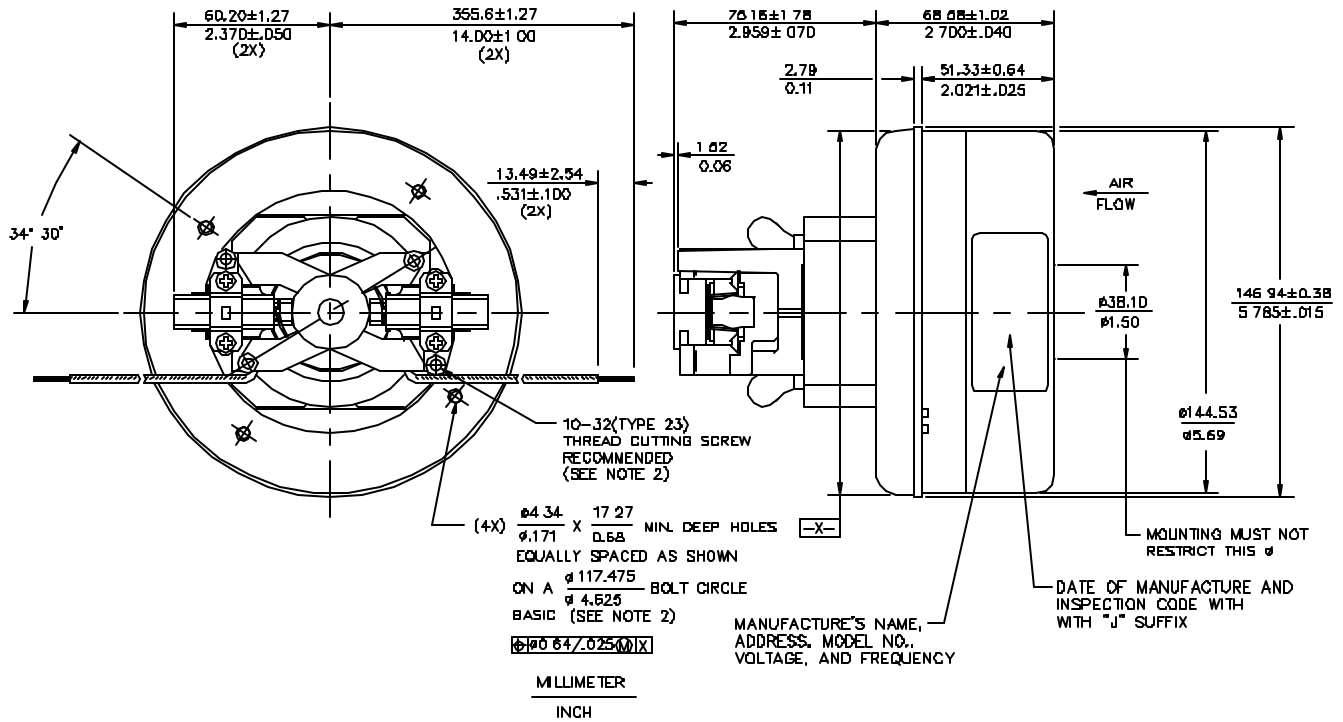
\* Data represents performance of a typical motor sampled from a large production quantity. Individual motor data may vary due to normal manufacturing variat

Test Specs:	24 volts	Minimum Sealed Vacuum:	44.0"	ORIFICE:	7/8 "	Minimum Vacuum:	16.5"	Maximum Watts:	420
-------------	----------	------------------------	-------	----------	-------	-----------------	-------	----------------	-----

**DIMENSIONS**

**NOTES**

1. LEADS: 18GA STRANDED, LEADS CAN BE ANY COLOR EXCEPT GREEN OR GREEN WITH YELLOW STRIPE
2. GROUNDING OR EARTHING PROVISIONS: USE HOLES AS INDICATED FOR GROUNDING OR EARTHING. REFER TO APPROPRIATE LISTING OR REGULATORY AGENCY FOR PROPER METHOD OF GROUNDING OR EARTHING.



**IMPORTANT NOTE:** Pictorial and dimensional data are subject to change without notice. Contact factory for current revision levels.

**WARNING -** AMETEK Lamb Electric thru-flow vacuum motors must never be used in applications in which wet or moist conditions are involved, where dry chemicals or other volatile materials are present, or where airflow may be restricted or blocked. Such motors are designed to permit the vacuumed air to pass over the electrical winding to cool it. Thus any foam, liquid (including water), dry chemical, or other foreign substance coming in contact with electrical conductors could cause combustion (depending on volatility) or electrical shock. Failure to observe these precautions could result in property damage and severe personal injury, including death in extreme cases. All applications incorporating Lamb Electric motors should be submitted to Underwriters Laboratories Inc or other appropriate organizations or agencies for testing specifically related to the safety of your equipment.

**AMETEK/Lamb Electric Division**  
 627 Lake Street  
 Kent, Ohio 44240  
 U.S.A.  
 Tel: (330) 673-3451  
 Fax: (330) 673-8994

**Ametek GmbH**  
 Weillimdorfer Str. 47  
 D-70825 Korntal-Munchingen  
 Germany  
 Phone: + 49-711-838-7876  
 Fax: + 49-711-838-7862

**AMETEK/Singapore Private Limited**  
 10 Ang Mo Kio Street 65  
 # 05-12 Techpoint  
 Singapore 2056  
 Tel: + 65-484-2388  
 Fax: + 65-481-6588