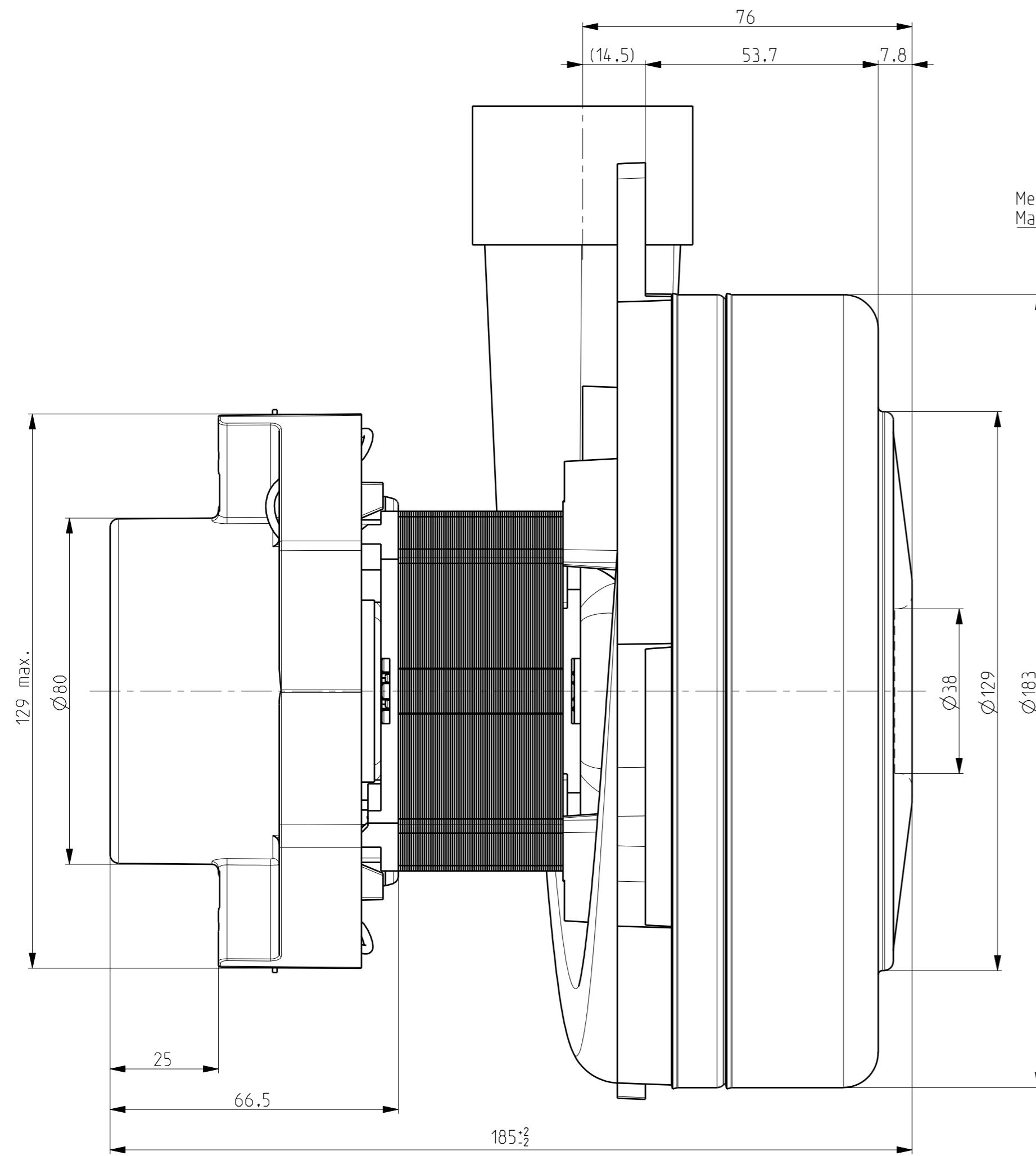
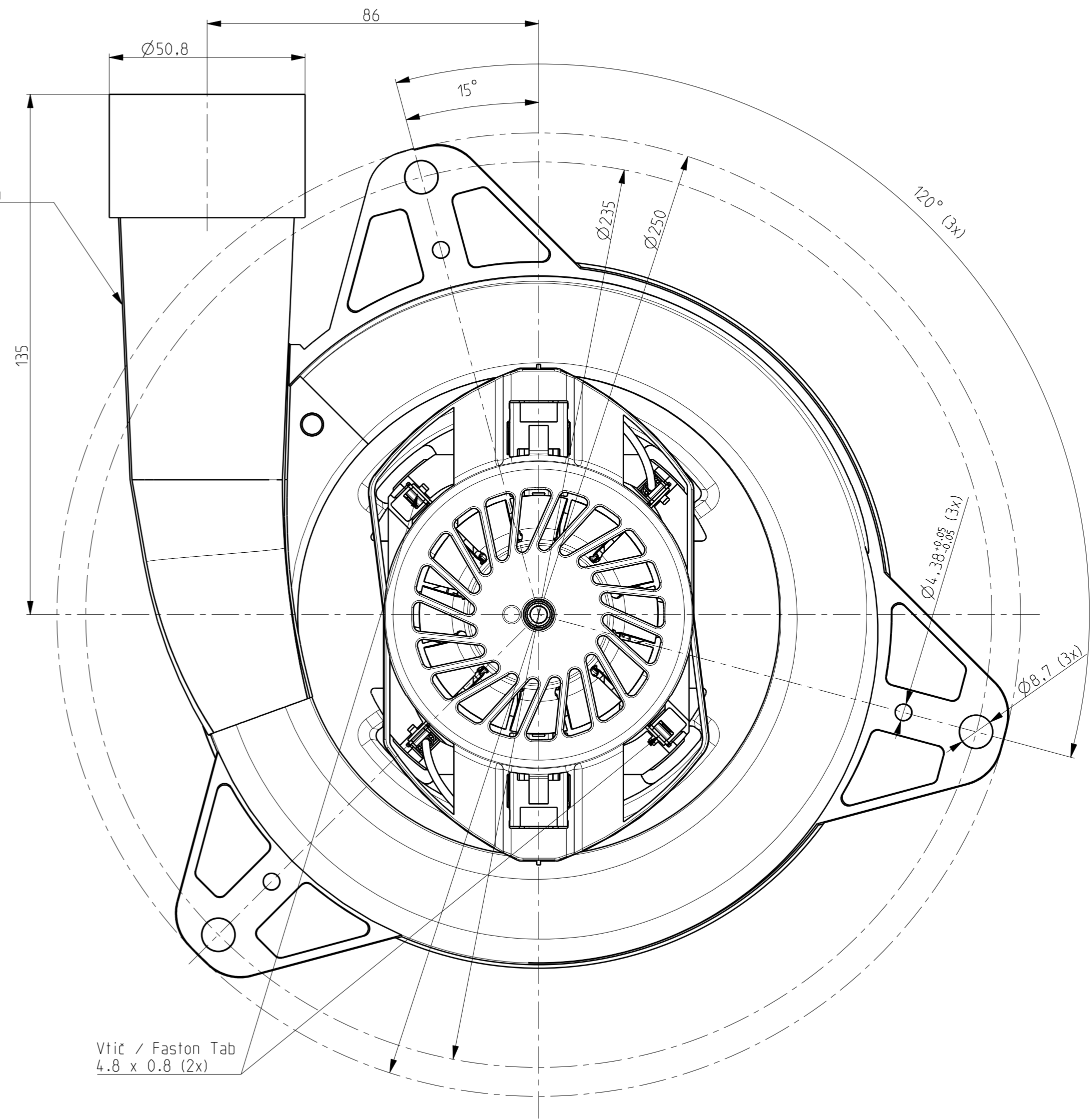


NAPETOST VOLTAGE	120 V
FREKVENCA FREQUENCY	60 Hz
NAZIVNA MOČ NOMINAL POWER	1800 W

Po UL predpisih
In accordance with UL



Mesto žigosanja
Marking position



Podatki na žigu
Marking contents

DOMEL 499.3.701 120 V
ECVS 300371 60 Hz
dd.mm.yyyy 1800 W
Made in Slovenia AOM

OSNOVNE ZNAČILNOSTI		TYPICAL CHARACTERISTICS	
IZVEDBA	DVOSTOPENJSKA	FAN SYSTEM	TWO STAGE
VLEŽAJENJE	DVA KROGLIČNA LEŽAJA	BEARINGS	DUAL BALL
VRSTA PRETOKA	MIMO MOTORJA	DISCHARGE	BY PASS
SMER VR TENJA	LEVA	DIRECTION OF ROTATION	CCW

Tolerance odprtih mer Tolerances without individual indications		Površinska hrapavost Surface Finishing		Merilo Scale	1:1	Original format ISO 5457 - A2	
ISO 2768 - m				Gradivo / Material			
Datum/Date		Ime/Name		Naziv Title			
Zdelal Designed		05.05.2009		A. Solar		SESALNA ENOTA VACUUM CLEANER MOTOR	
Prej. Verified		20.07.2009		J. Rintarsic			
Ozn. Mark		St. No. of notice		Datum Date		Ime Name	
B3 9065		20.07.2009		A. Solar		Koda Code	
AO 8979		12.05.2009		A. Solar		499.3.701	
						List Sheet	
						3+	
						Stran Page	
						1	
						DOMEL®	
						Oltoki 21. 4228 Železniki, Slovenija	
						4993701000_SESALNA_ENOTA	

Izdelano s CAD/ProEngineer - ročno spreminjanje ni dovoljeno! Vsak prenos, tiskanje ali uporaba v nedopovrjene namene ni dovoljena po zakonu o avtorskih pravicah. Made with CAD/ProEngineer - changing is not allowed! Any unauthorized copying of this drawing or unauthorized distribution of the information contained herein is prohibited.