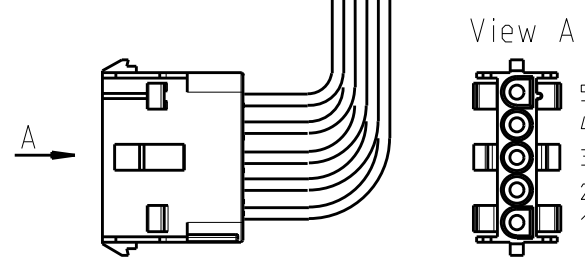
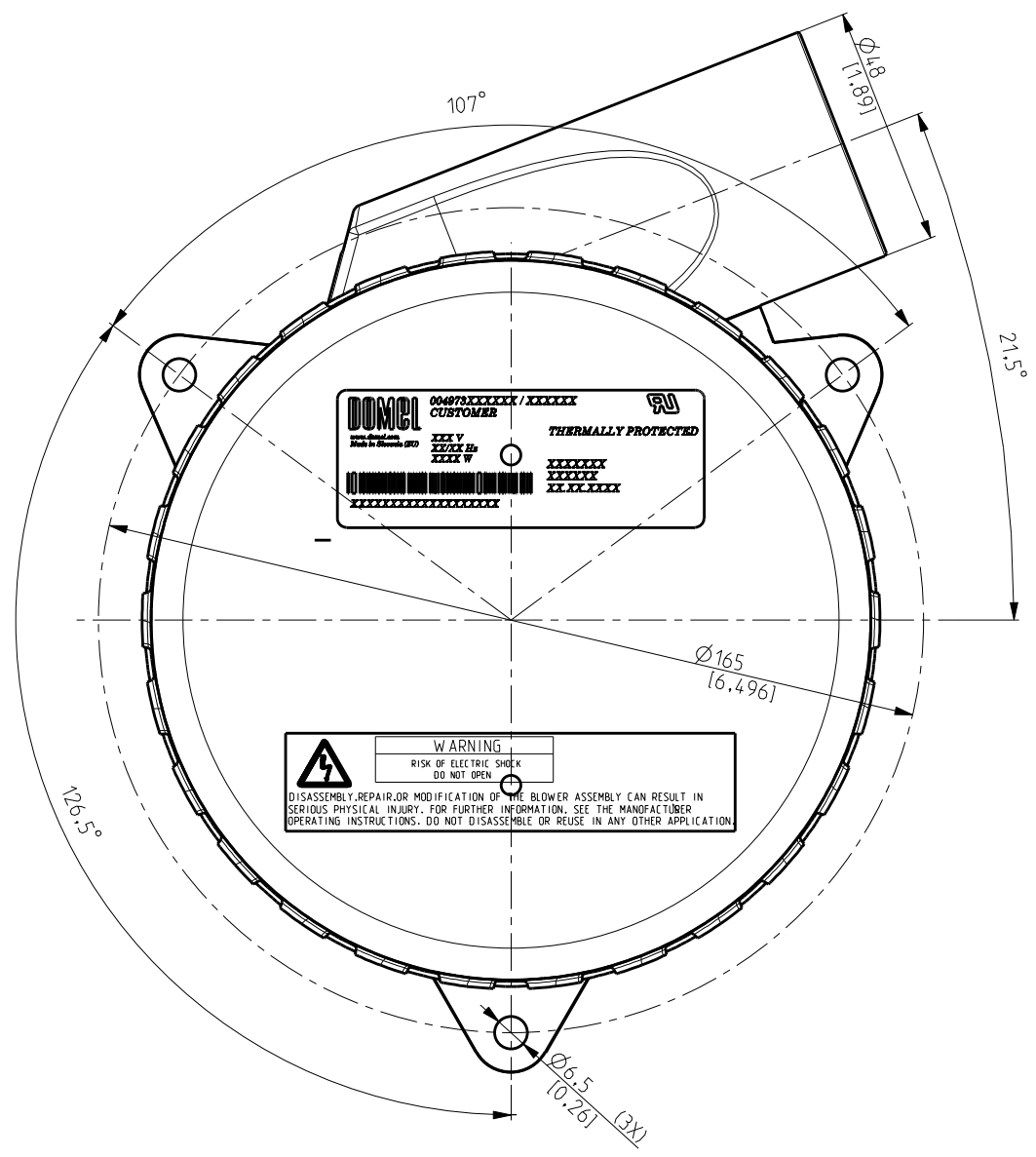
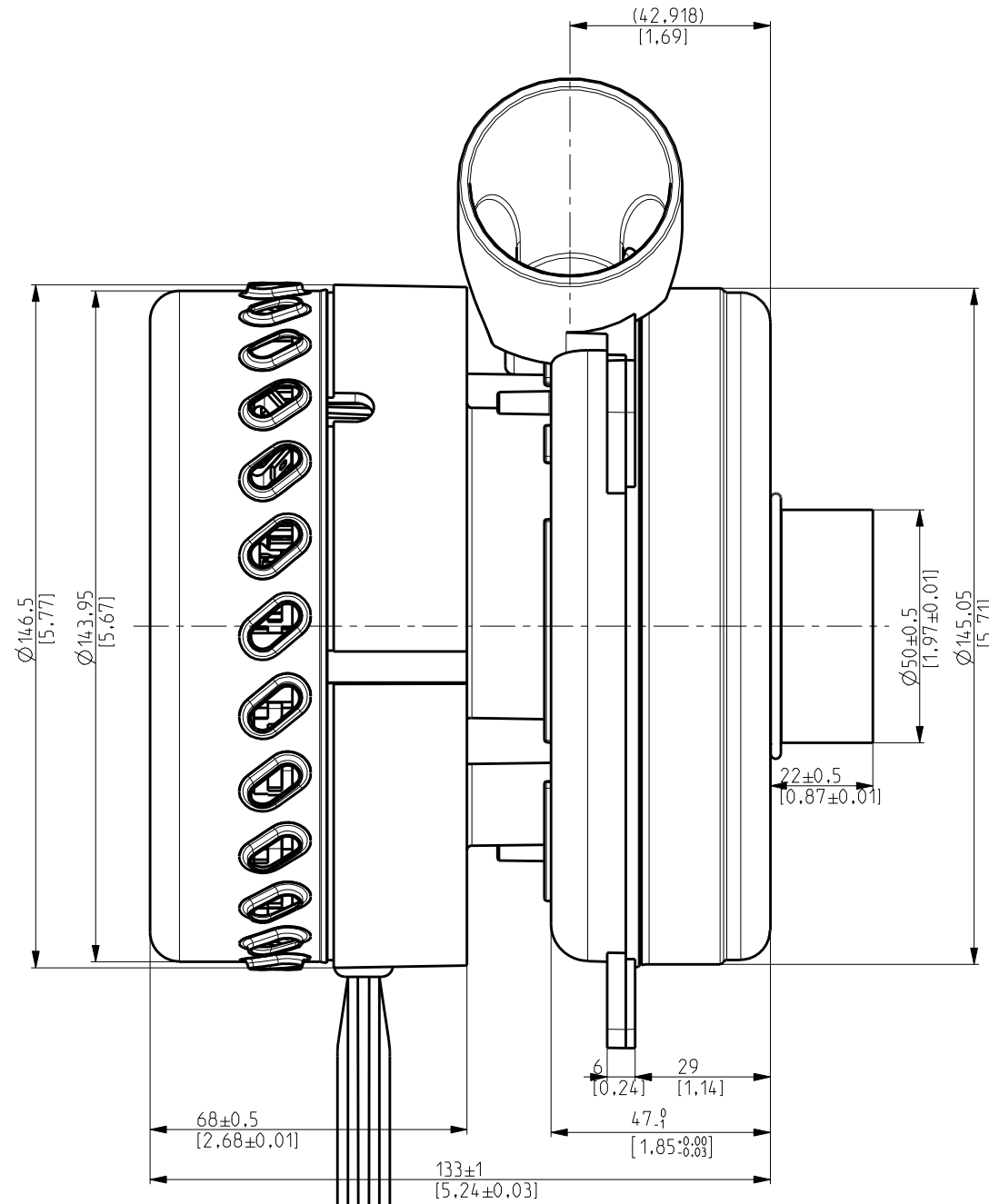


NAPETOST	230 V
VOLTAGE	230 V
FREKVENCA	50 Hz
FREQUENCY	50 Hz
NAZIVNA MOČ	450 W
NOMINAL POWER	450 W



CONNECTOR AMP 350810-1			
PIN	COLOR		
5	black	AC INPUT	230V±10%
4	black	AC INPUT	230V±10%
3	ye-gr	EARTH	
2	red	High	Isolated speed Control 0-10V DC
1	blue	Low	Control 0-10V DC

OSNOVNE ZNAČILNOSTI		TYPICAL CHARACTERISTICS	
IZVEDBA	ENOSTOPENJSKA	FAN SYSTEM	SINGLE STAGE
VLEŽAJENJE	DVA KROGLIČNA LEŽAJA	BEARINGS	DUAL BALL
VRSTA PRETOKA	MIMO MOTORJA	DISCHARGE	BY PASS
SMER VRTENJA	LEVA	DIRECTION OF ROTATION	CCW

Tolerance odprtih mer Tolerances without individual indications		ISO 2768 - m		Površinska hrapavost Surface finishing		Merilo Scale 1:1		Original format ISO 5457 - A2	
Datum/Date		10.03.10		Ime/Name		Koblar U.		Naziv Title PUHALO BLOWER	
zdelal Designed		10.03.10		Pregl. Verified				Koda Code 497.3.265-326	
Ozn. Mark		St. obvestila No. of notice		Datum Date		Ime Name		List Sheet 3+	
A0								Stran Page 1	
DOMEL®		Otoki 21, 4228 Železniki, Slovenija						4973265326_SESALNA_ENOT A	

Izdelano s CAD/ProEngineer - ročno spreminjanje ni dovoljeno! Vsak prenos tretjim osebam ali uporaba v nedogovorjeno namene ni dovoljena v skladu z avtorskih pravicah.
 Made with CAD/ProEngineer - changing is not allowed! Any unauthorized copying or unauthorized distribution of the information contained herein is prohibited.