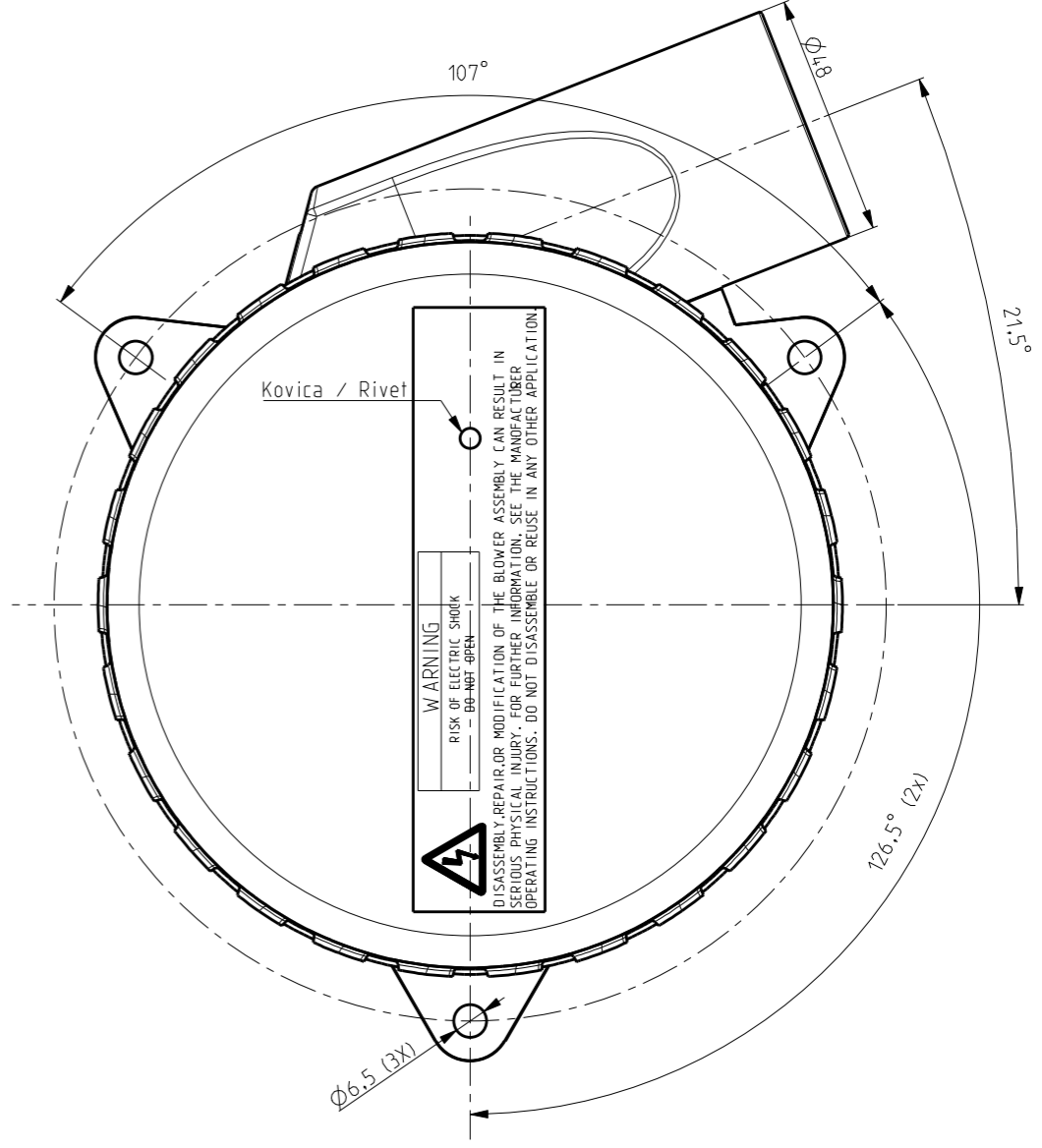
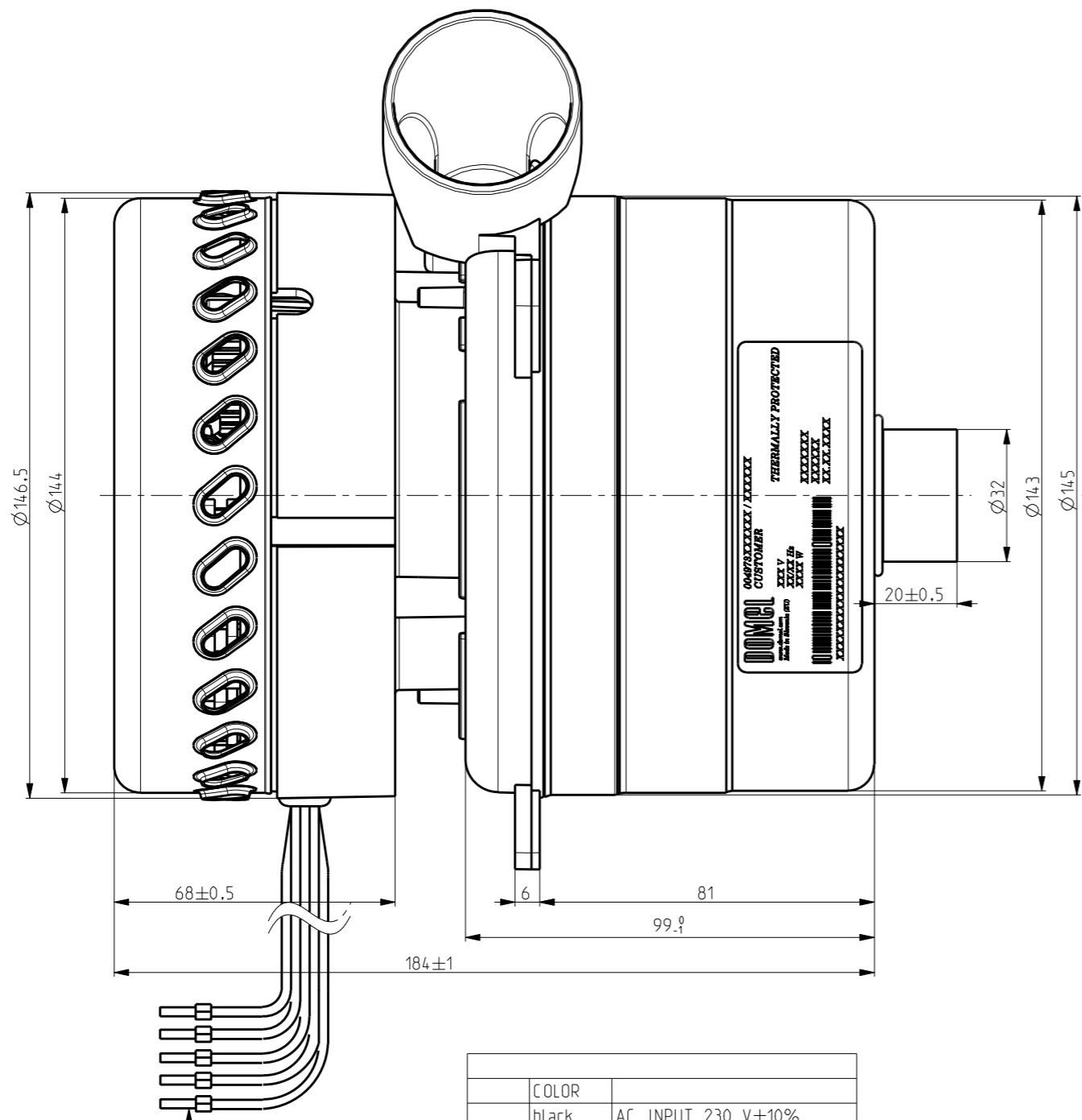


NAPETOST VOLTAGE	230 V
FREKVENCA FREQUENCY	50/60 Hz
NAZIVNA MOČ NOMINAL POWER	450 W

OPOMBA: Posebna notranja ozemljitev - glej OP! /  
NOTE: Special inner grounding according to customer's demands!



**WARNING**  
RISK OF ELECTRIC SHOCK  
-- DO NOT OPEN

DISASSEMBLY, REPAIR, OR MODIFICATION OF THE BLOWER ASSEMBLY CAN RESULT IN SERIOUS PHYSICAL INJURY. FOR FURTHER INFORMATION, SEE THE MANUFACTURER'S OPERATING INSTRUCTIONS. DO NOT DISASSEMBLE OR REUSE IN ANY OTHER APPLICATION.

COLOR		
black	AC INPUT	230 V±10%
black	AC INPUT	230 V±10%
ye-gr	EARTH	
red	High	Isolated speed Control 0-10V DC
blue	Low	Control 0-10V DC

Opombe / Note :  
Dobaviti brez konektorja!  
Deliver without connector!

Izvodi vodnikov / Connection wires: 580+100

OSNOVNE ZNAČILNOSTI		TYPICAL CHARACTERISTICS	
IZVEDBA	TROSTOPENJSKA	FAN SYSTEM	THREE STAGE
VLEŽAJENJE	DVA KROGLIČNA LEŽAJA	BEARINGS	DUAL BALL
VRSTA PRETOKA	MIMO MOTORJA	DISCHARGE	BY PASS
SMER VRTENJA	LEVA	DIRECTION OF ROTATION	CCW

Tolerance odprilni mer	Površinska hrapavost Surface Finishing	Merilo Scale	1:1	Original format ISO 5457 - A2
Tolerances without individual indications	ISO 2768 - m	Gradivo / Material		
Datum/Date	Ime/Name	Naziv Title	<b>PUHALO BLOWER</b>	
14.05.10	Kobljar U.			
Pregl. Verified	J.Rintaršič	Koda Code	497.3.265-447	List Sheet 3+
AO	SAMPLES2	14.05.10	Kobljar U.	Stran Page 1
Uzn. Mark	Št. obvestila Nr. of notice	Datum Date	Ime Name	Otoki 21, 4228 Zeleniki, Slovenija
				4973265447_SEALNA_ENOTA

Izdelano s CAD/ProEngineer - točno spreminjanje ni dovoljeno! Vsak prenos trehjim osebam ali uporaba v nedogovorjene namene ni dovoljena po zakonu o avtorskih pravicah. Made with CAD/ProEngineer - changing is not allowed! Any unauthorized copying of this drawing or unauthorized distribution of the information contained herein is prohibited.