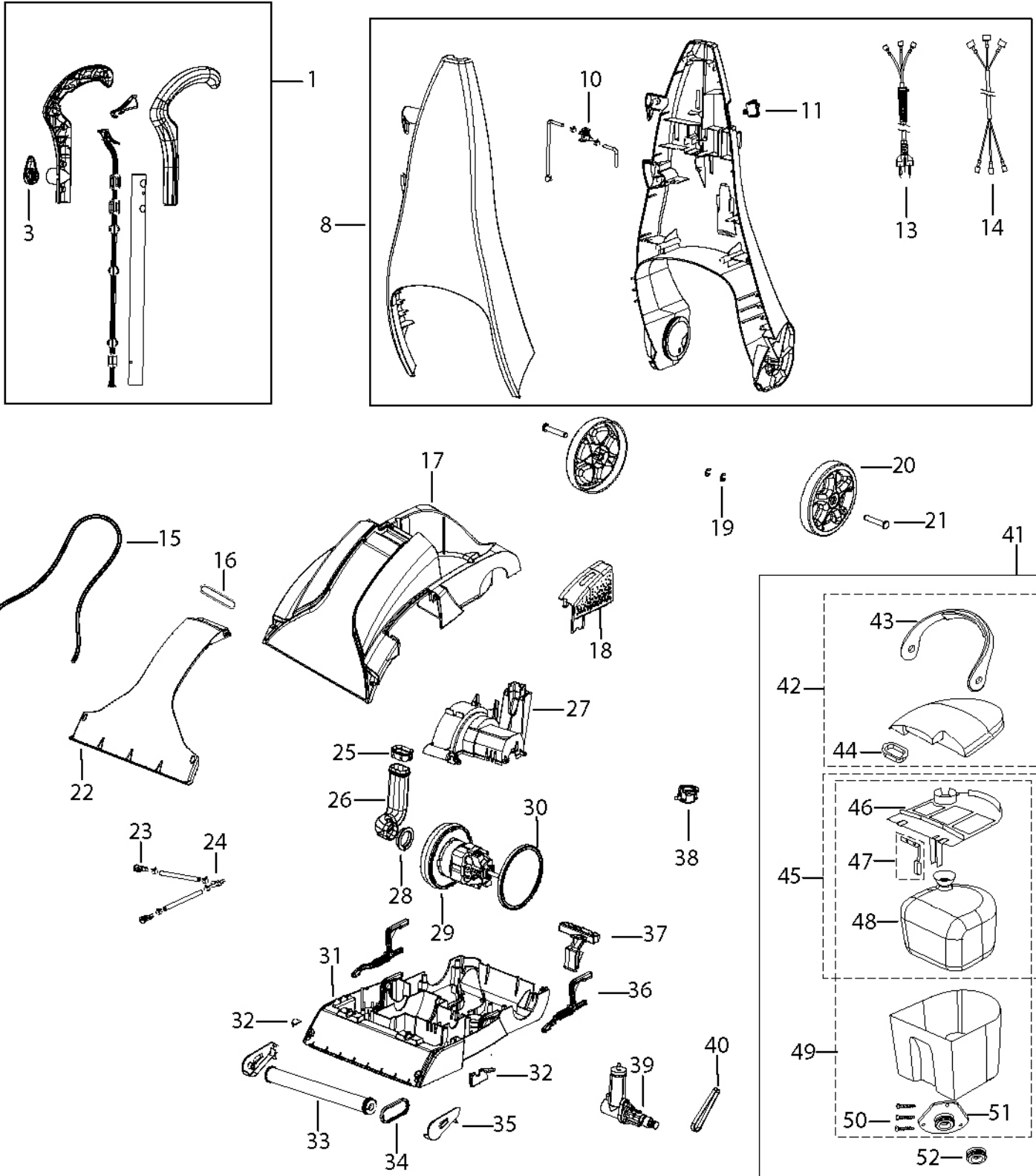


UPRIGHT DEEP CLEANER

Xtra-Lift™ UDC Model 9E00



Rubbermaid Commercial Technical Services
1-866-678-9942

Issued: March 2003

Revised: 11/04

©2004 BISSELL Homecare, Inc.

UPRIGHT DEEP CLEANER

X-tra-Lift™ UDC Model 9E00

KEY	PART NO	DESCRIPTION
1	5556200	Handle & Grip Assy - Med Cool Gray
3	2106378	Cord Wrap - Med Cool Gray
8	5556201	Lower Handle Assy - Med Cool Gray
10	2159595	Valve Assy w/ Vinyl Tube
11	5559125	Switch - Red
13	2104525	Cordset
14	2104446	Harness w/ Insulated Terminals
15	2103418	Gasket Extruded .136" x 32"
16	2104052	Tank Interface Seal
17	2134939	Main Housing - Med Cool Gray
18	2132951	Belt Cover - Med Cool Gray
19	2106215	E-ring for Axle
20	2139754	Wheel
21	2100170	Axle
22	2149873	Window Nozzle - Commercial
23	2106107	Spray Tip
24	2102602	Connector T
25	2104050	Gasket - Short Motor Duct
26	2103161	Short Motor Duct
27	2132986	Motor Cover
28	2104051	Motor Intake Gasket
29	0175972	Motor
30	2104056	Motor Gasket
31	2130433	Base Assy w/ Brush
32	5559113	Arm Retainer (LT & RT)
33	2101128	Brush Assy
34	0150621	Brush Belt
35	NLA	Pivot Arm (LT & RT)
36	2000010	Elevator Lever (LT & RT)
37	5559102	Handle Release Pedal
38	2140710	Autoload Receiver Assy
39	2107181	Pump Assy
40	2150628	Pump Belt
41	0159043	Tank Assy w/ Lint Screen
42	5556207	Tank Lid w/ Screen and Gasket
43	2034435	Tank Handle
44	2133501	Lint Screen
45	2140213	Baffle & Bladder Assy
46	2130213	Baffle & Float Assy
47	2140325	Float Assy
48	2100315	Bladder
49	0159041	Tank Bottom Assy
50	2807075	Screw #6 x 1/2"
51	2107041	Autoload Assy
52	2106241	Overseal for Autoload
xx	2133010	Measuring Cup
xx	2158001	T Assy - Odd Barb
xx	5557030	Screw - #8 x 3/4 (6-pack)
xx	2105805	User's Guide

Finished Goods Must Be Purchased From Rubbermaid®