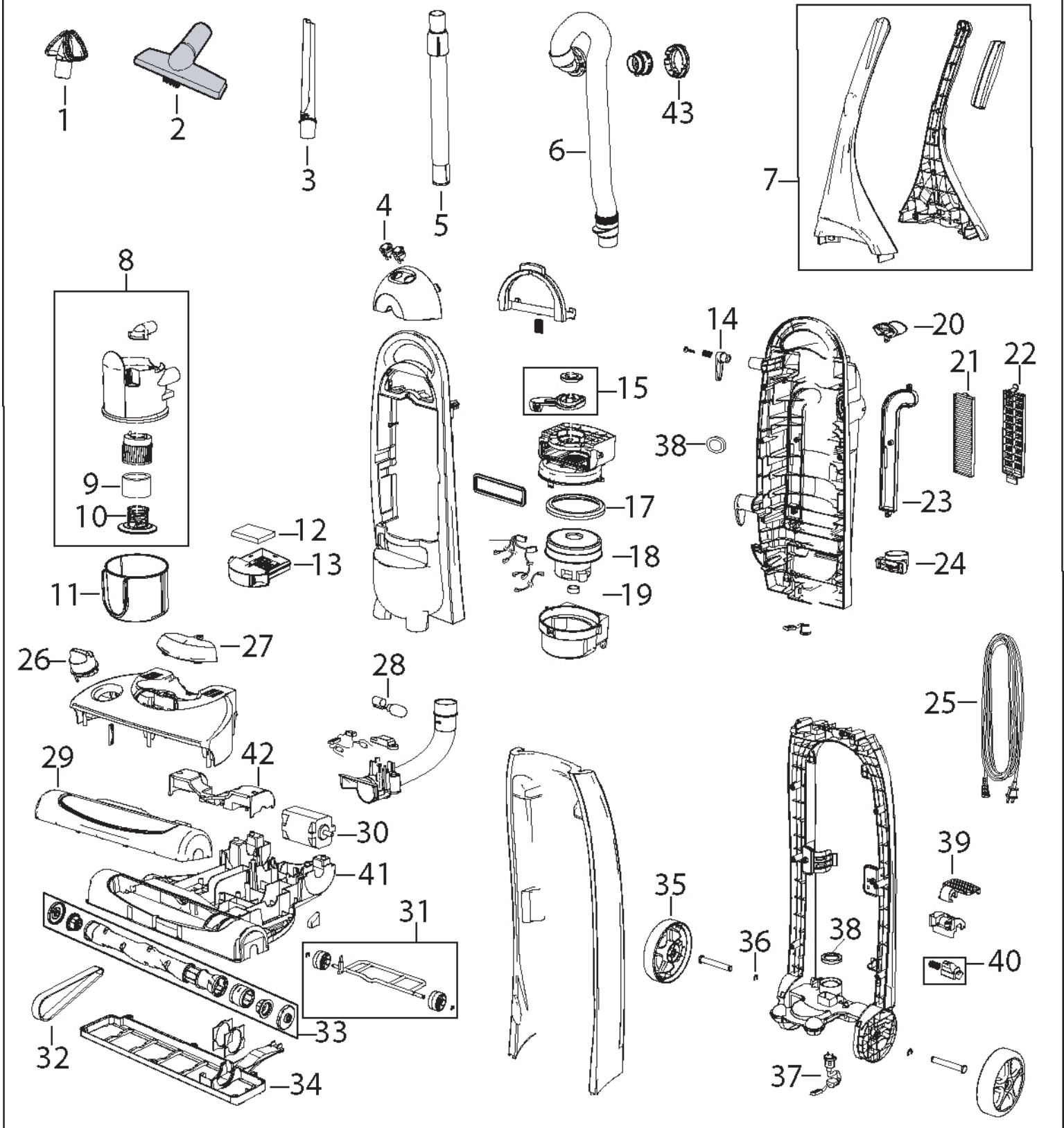




Lift-Off[®] Bagless

Series 3750, 6595, 6801



Bissell Homecare Inc. (U.S.)
 Phone: 1-800-457-1509
 Fax: 1-800-517-9535
partner.bissell.com

Bissell Canada
 Phone: 1-800-465-1283 ext. #28
 Fax: 905-356-0625
 Email: Canada.custhelp@bissell.com

Issued: November 2004
 Revised: April 2005
 © 2005 BISSELL Homecare, Inc.

Upright Vacuum

Lift-Off® Bagless Models 3750, 6595, 6801



KEY	PART NO	DESCRIPTION			
1	2031023	UPHOLSTERY/DUSTING BRUSH TOOL			
2	2036624	STAIR TOOL			
3	2031063	CREVICE TOOL			
4	2107221	POWER SWITCH			
5	2036625	TELESCOPING WAND			
6	2036633	HOSE ASSY < 04160			
6	2032073	HOSE ASSY - TWIST 'N SNAP >04160			
7	2036600	HANDLE ASSY - TANGO RED METALLIC			
7	2036642	HANDLE ASSY - ACIER			
7	2036603	HANDLE ASSY - ALOEMINIUM			
7	2032132	HANDLE ASSY - BALI BLUE			
7	2032078	HANDLE ASSY - BROADWAY BRONZE			
7	2036640	HANDLE ASSY - TANGO BLUE METALLIC			
8	2036614	UPPER TANK - CLEAR			
8	2032080	UPPER TANK - BERRY			
9	2031085	UPPER TANK FILTER			
10	2036615	GRILLE CAP - SALSA RED			
10	2032077	GRILLE CAP - TAUPE			
11	2031117	DIRT CUP - CLEAR			
11	2032079	DIRT CUP - BERRY			
12	2031073	PRE MOTOR FILTER			
13	2036606	FILTER TRAY			
14	2031269	CORD RELEASE			
15	2036613	LOCK N' SEAL LEVER - GREY			
15	2032075	LOCK N' SEAL LEVER - TAUPE			
17	2036635	MOTOR CUSHION - LARGE			
18	2036630	VACUUM MOTOR			
19	2036629	MOTOR CUSHION - SMALL			
20	2036607	HOSE HANGER			
21	2036608	HEPA FILTER			
22	2036609	POST MOTOR FILTER GRILLE			
23	2036612	CYCLONE DUCT			
24	2036610	HOSE GUIDE			
25	2036626	CORD			
26	2036632	HEIGHT ADJUSTMENT KNOB - GREY			
26	2032076	HEIGHT ADJUSTMENT KNOB - TAUPE			
27	2036623	HEADLIGHT LENS			
28	2031007	LAMP			
29	2036622	BRUSH WINDOW			
30	2036634	BRUSH MOTOR			
31	2036621	FRONT WHEEL ASSY			
32	2106679	BELT - STYLE 8	xx	2032081	BARE FLOOR TOOL
33	2036619	BRUSH - RED	xx	2032082	TURBO BRACKET ASSY
33	2032085	BRUSH - GREY	xx	2035542	SHOULDER STRAP
33	2032074	BRUSH - TAUPE	xx	2109940	SCREW PK - HANDLE & DETENT LEVER
34	2036620	ACCESS PLATE	xx	2109943	SCREW PK - HEADLIGHT LENS
35	2036627	REAR WHEEL	xx	9995536	USER'S GUIDE - CANADA
36	2032548	E-RING	xx	2015540	USER'S GUIDE - UNITED STATES
37	2036628	MALE PLUG			
38	2036605	GASKET - UPPER TANK & POD TO BASE			Tango Red Metallic = 3750, 37502, 3750C 3750H, 3750T, 3750Z, 6595
39	2036604	DETENT LEVER			Acier = 6801, 68013
40	2032103	SLIDER RELEASE			Aloeminiium (Green) = 37501,3750D 65951
41	2031273	FOOT BASE ASSY			Bali Blue = 6595P
42	2031326	NECK BRUSH			Broadway Bronze = 3750M, 3750V, 3750Q
43	2031128	HOSE COLLAR			Tango Blue Metallic = 6595J

BISSELL Homecare, Inc. (U.S.)
 Phone: 1-800-457-1509
 Fax: 1-800-517-9535
 partner.bissell.com

Bissell Canada
 Phone: 1-800-465-1283 ext. #28
 Fax: 905-356-0625
 Email: Canada.custhelp@bissell.com

Issued: 10/03
 Revised: 10/05
 © 2005 BISSELL Homecare, Inc.