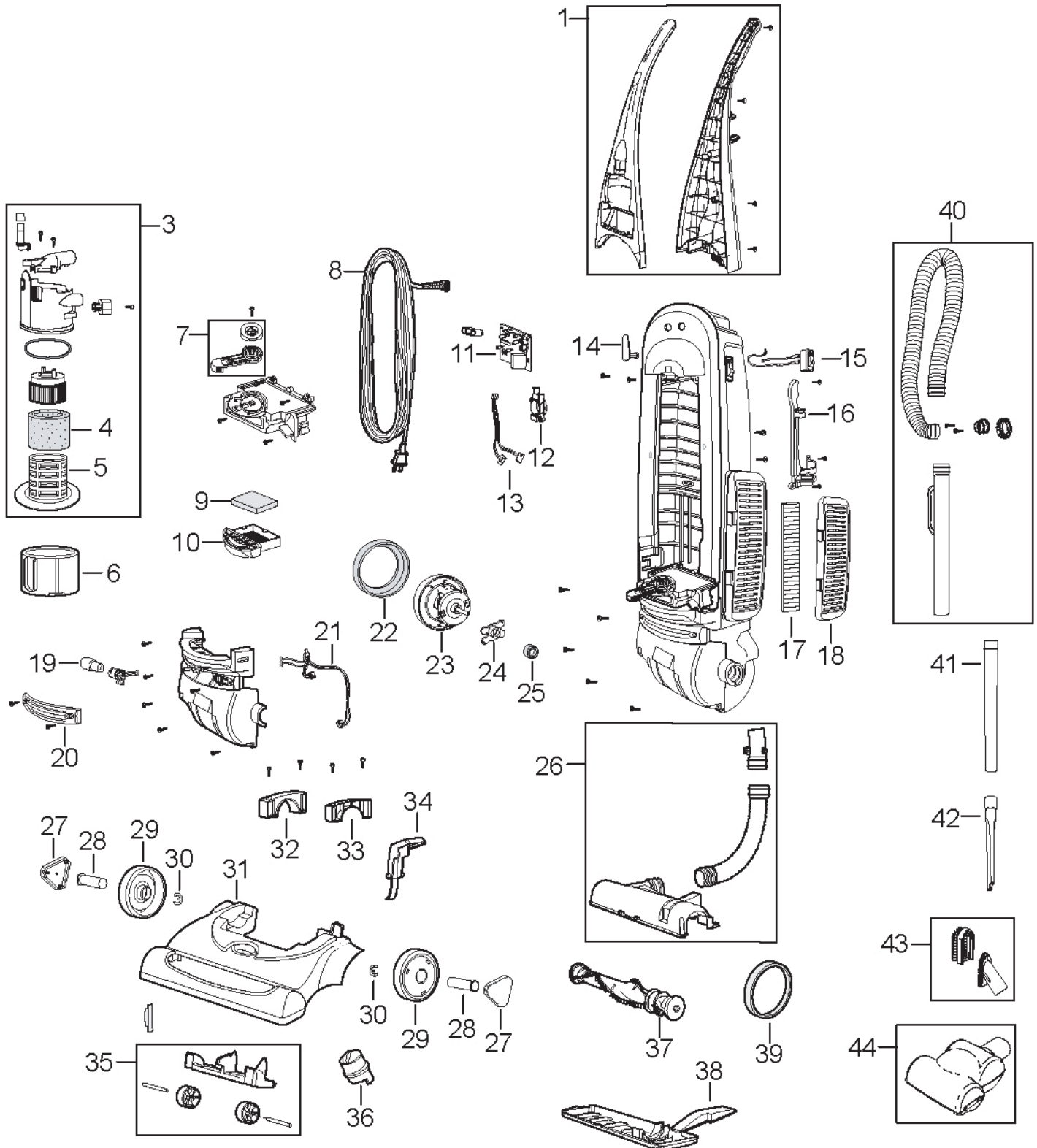




CLENVIEW BAGLESS

Model 3594-M



Bissell Homecare Inc. (U.S.)
 Phone: 1-800-457-1509
 Fax: 1-800-517-9535
 partner.bissell.com

Bissell Canada
 Phone: 1-800-465-1283 ext. #28
 Fax: 905-356-0625
 Email: Canada.custhelp@bissell.com

Issued: May 2004

Revised: March 2005

© 2005 BISSELL Homecare, Inc.

BAGLESS VACUUM

CleanView™ Models 3594-M



KEY	PART NO	DESCRIPTION
1	2031233	Upper Handle Assy. - Turbo - Metallic Bronze
3	2031226	Upper Tank Assy - For Dirt Sensor Units
4	2031085	Separation Flange Filter
5	2032042	Separation Flange Frame
6	2031117	Dirt Cup
7	2031119	Lock n' Seal Lever - Med Grey
8	2031067	Power Cord
9	2031073	Pre Motor Filter
10	2032058	Pre Motor Filter Tray - Med Gray
11	2031235	Circuit Board - For Dirt Sensor Units
12	2031236	Sensor Holder
13	2031208	Wire Harness - Power - For Dirt Sensor Units
14	2031018	Cord Release
15	2031035	Switch - Rocker
16	2031076	Tool Caddy
17	2231047	Post Motor Filter - 3M/HEPA
18	2031011	Post Motor Filter Grill
19	2031007	Lamp - Incandescent
20	2031008	Headlight Lens
21	2031034	Wire Harness - Thermo
22	2031218	Motor Cushion - Large
23	2031214	Motor
24	2031217	Motor Support
25	2031107	Motor Cushion - Small
26	2032039	Case Drum Assy.
27	2032065	Wheel Cap - Black
28	2032547	Axle
29	2032037	Rear Wheel
30	2032548	E-Ring
31	2031239	Top Cover - Metallic Bronze
32	2031040	Right Neck Brush
33	2031039	Left Neck Brush
34	2030052	Lever Release
35	2032556	Roller Assy. W/ Axle
36	2031095	Height Adjustment Knob
37	2032013	Brush
38	2032036	Access Plate
39	2031093	Belt
40	2032035	Hose Assy.
41	2031084	Extension Wand
42	2031063	Crevice Tool
43	2031228	Dust Brush Combo Tool
44	2031227	Turbobrush
xx	2031003	Screw - Handle/Hose Cuff
xx	2102564	User's Guide

BISSELL Homecare, Inc. (U.S.)

Phone: 1-800-457-1509

Fax: 1-800-517-9535

partner.bissell.com

Bissell Canada

Phone: 1-800-465-1283 ext. #28

Fax: 905-356-0625

Email: Canada.custhelp@bissell.com

Issued: 05/04

Revised: 03/05

© 2005 BISSELL Homecare, Inc.