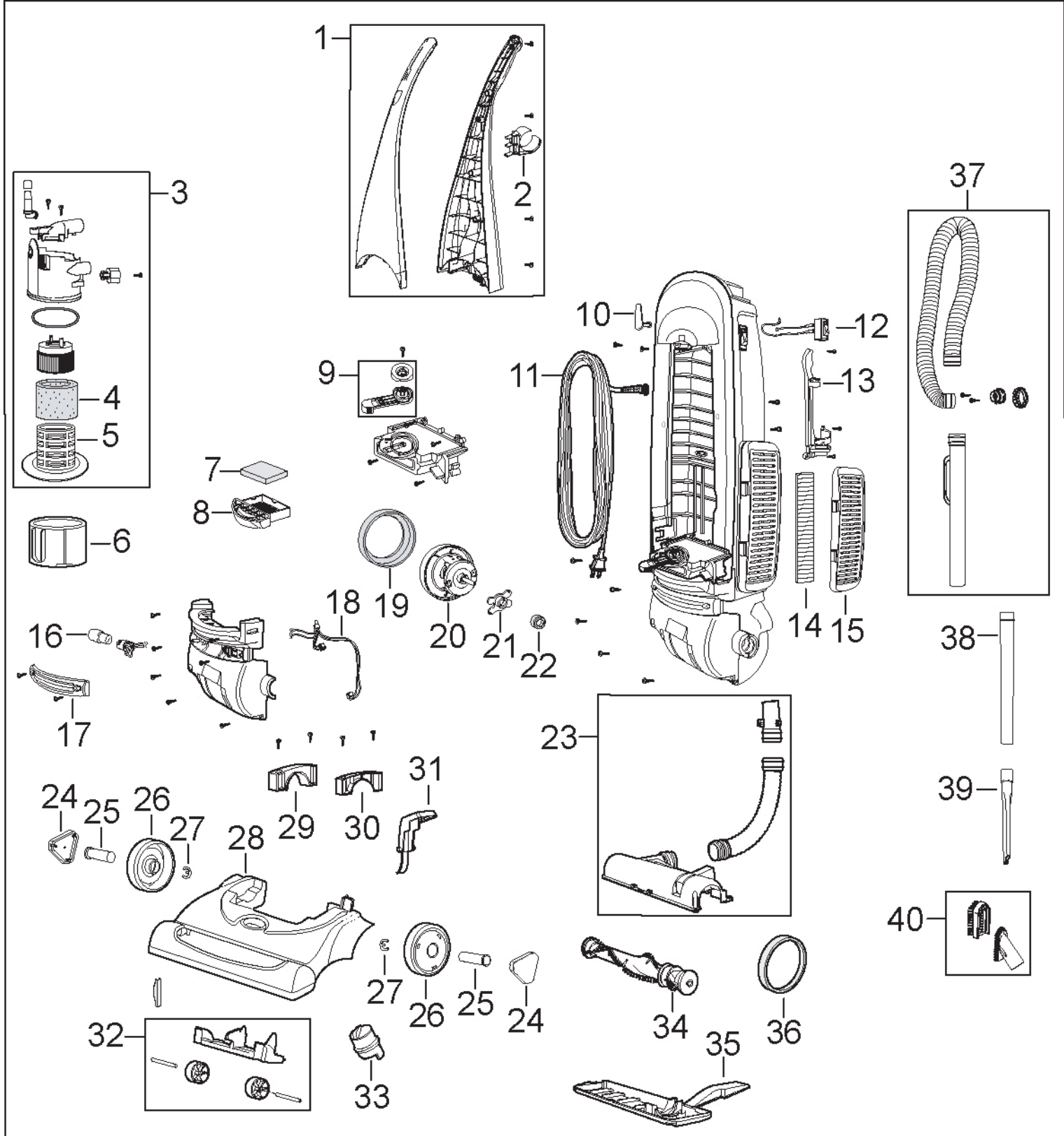




CLENVIEW BAGLESS

Model 3593-P



Bissell Homecare Inc. (U.S.)
 Phone: 1-800-457-1509
 Fax: 1-800-517-9535
 partner.bissell.com

Bissell Canada
 Phone: 1-800-465-1283 ext. #28
 Fax: 905-356-0625
 Email: Canada.custhelp@bissell.com

Issued: February 2005
 © 2005 BISSELL Homecare, Inc.

BAGLESS VACUUM

CleanView™ Model 3593-P



| KEY | PART NO | DESCRIPTION |
|-----|---------|----------------------------------|
| 1 | 2032127 | Upper Handle Assy - Medium Blue |
| 2 | 2031028 | Hanger - Hose |
| 3 | 2031225 | Upper Tank Assy |
| 4 | 2031085 | Separation Flange Filter |
| 5 | 2032042 | Separation Flange Frame |
| 6 | 2030176 | Dirt Cup |
| 7 | 2031073 | Pre Motor Filter |
| 8 | 2032058 | Pre Motor Filter Tray - Med Gray |
| 9 | 2031119 | Lock n' Seal Lever - Med Grey |
| 10 | 2031018 | Cord Release |
| 11 | 2031067 | Power Cord |
| 12 | 2031035 | Switch - Rocker |
| 13 | 2031076 | Tool Caddy |
| 14 | 2231047 | Post Motor Filter - 3M/HEPA |
| 15 | 2031011 | Post Motor Filter Grill |
| 16 | 2031007 | Lamp - Incandescent |
| 17 | 2031008 | Headlight Lens |
| 18 | 2031034 | Wire Harness - Thermo |
| 19 | 2031218 | Motor Cushion - Large |
| 20 | 2031214 | Motor |
| 21 | 2031217 | Motor Support |
| 22 | 2031107 | Motor Cushion - Small |
| 23 | 2032039 | Case Drum Assy. |
| 24 | 2032065 | Wheel Cap - Black |
| 25 | 2032547 | Axle |
| 26 | 2032037 | Rear Wheel |
| 27 | 2032548 | E-Ring |
| 28 | 2032100 | Top Cover - Medium Blue |
| 29 | 2031040 | Right Neck Brush |
| 30 | 2031039 | Left Neck Brush |
| 31 | 2030052 | Lever Release |
| 32 | 2032556 | Roller Assy. W/ Axle |
| 33 | 2031095 | Height Adjustment Knob |
| 34 | 2032013 | Brush |
| 35 | 2032036 | Access Plate |
| 36 | 2031093 | Belt |
| 37 | 2032035 | Hose Assy. |
| 38 | 2031084 | Extension Wand |
| 39 | 2031063 | Crevice Tool |
| 40 | 2031228 | Dust Brush Combo Tool |
| xx | 2031003 | Screw - Handle/Hose Cuff |
| xx | 2102564 | User's Guide |

BISSELL Homecare, Inc. (U.S.)
Phone: 1-800-457-1509
Fax: 1-800-517-9535
partner.bissell.com

Bissell Canada
Phone: 1-800-465-1283 ext. #28
Fax: 905-356-0625
Email: Canada.custhelp@bissell.com

Issued: 03/05
Revised:
© 2005 BISSELL Homecare, Inc.