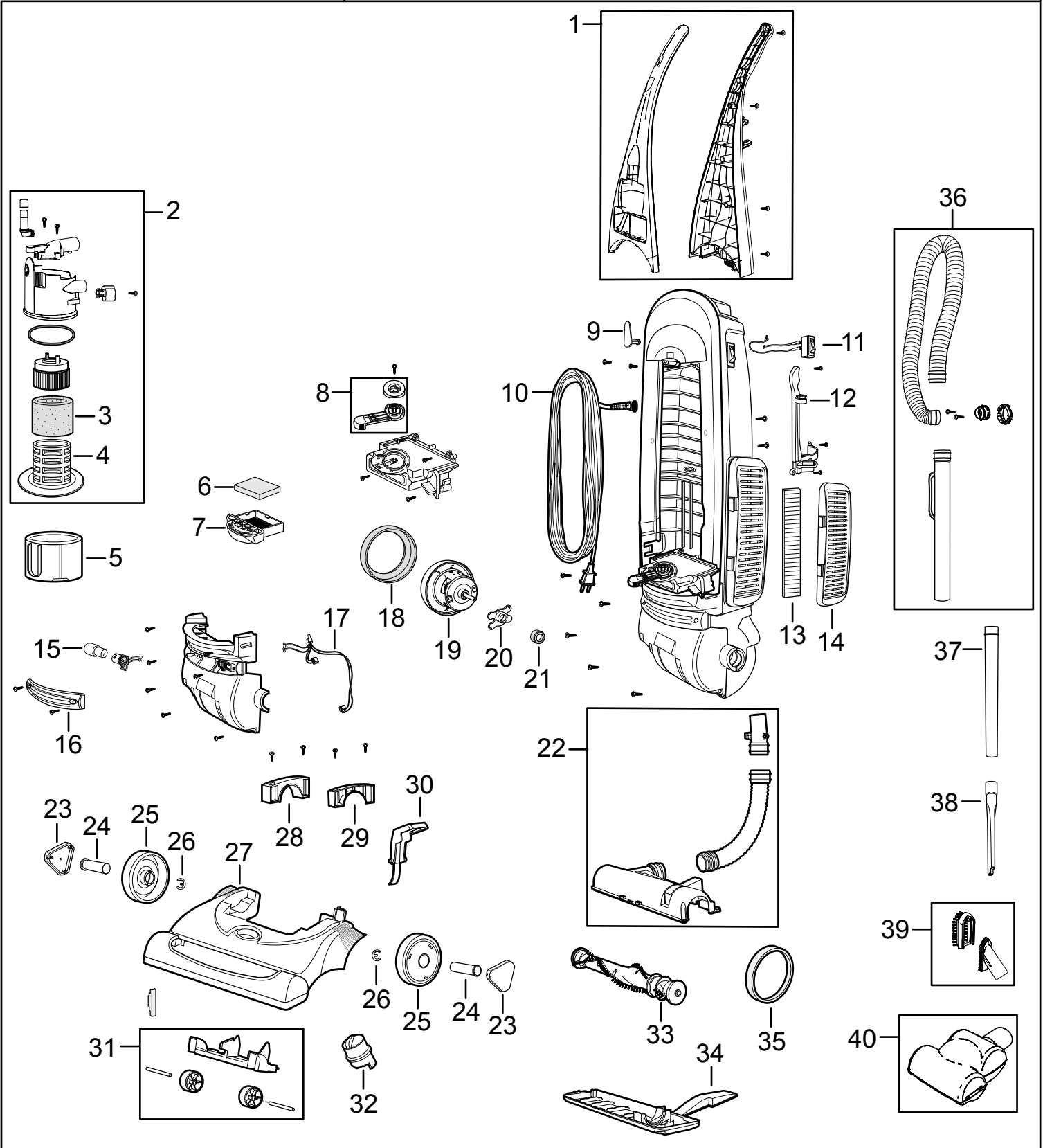




CLENVIEW BAGLESS

Model 3593-3



BISSELL Service Center Dept.
1-800-457-1509
Fax: 1-800-517-9535
partner.bissell.com

Issued: May 2004

©2004 BISSELL Homecare, Inc.

BAGLESS VACUUM

CleanView™ Models 3593-3, 3593-M



KEY	PART NO	DESCRIPTION		
1	2031230	Upper Handle Assy. - Turbo - Indigo		
2	2031225	Upper Tank Assy		
3	2031085	Separation Flange Filter		
4	2032042	Separation Flange Frame		
5	2030176	Dirt Cup		
6	2031073	Pre Motor Filter		
7	2032058	Pre Motor Filter Tray - Med Gray		
8	2031119	Lock n' Seal Lever - Med Grey		
9	2031018	Cord Release		
10	2031067	Power Cord		
11	2031035	Switch - Rocker		
12	2031076	Tool Caddy		
13	2231047	Post Motor Filter - 3M/HEPA		
14	2031011	Post Motor Filter Grill		
15	2031007	Lamp - Incandescent		
16	2031008	Headlight Lens		
17	2031034	Wire Harness - Thermo		
18	2031218	Motor Cushion - Large		
19	2031214	Motor		
20	2031217	Motor Support		
21	2031107	Motor Cushion - Small		
22	2032039	Case Drum Assy.		
23	2032065	Wheel Cap - Black		
24	2032547	Axle		
25	2032037	Rear Wheel		
26	2032548	E-Ring		
27	2031237	Top Cover - Indigo		
28	2031040	Right Neck Brush		
29	2031039	Left Neck Brush		
30	2030052	Lever Release		
31	2032556	Roller Assy. W/ Axle		
32	2031095	Height Adjustment Knob		
33	2032013	Brush		
34	2032036	Access Plate		
35	2031093	Belt		
36	2032035	Hose Assy.		
37	2031084	Extension Wand		
38	2031063	Crevice Tool		
39	2031228	Dust Brush Combo Tool		
40	2031227	Turbobrush		
xx	2031003	Screw - Handle/Hose Cuff		
xx	2102564	User's Guide		

Issued: 05/04

Revised: 06/04

© 2004 BISSELL Homecare, Inc.

BISSELL Service Center Dept

1-800-457-1509

Fax 1-800-517-9535

partner.bissell.com