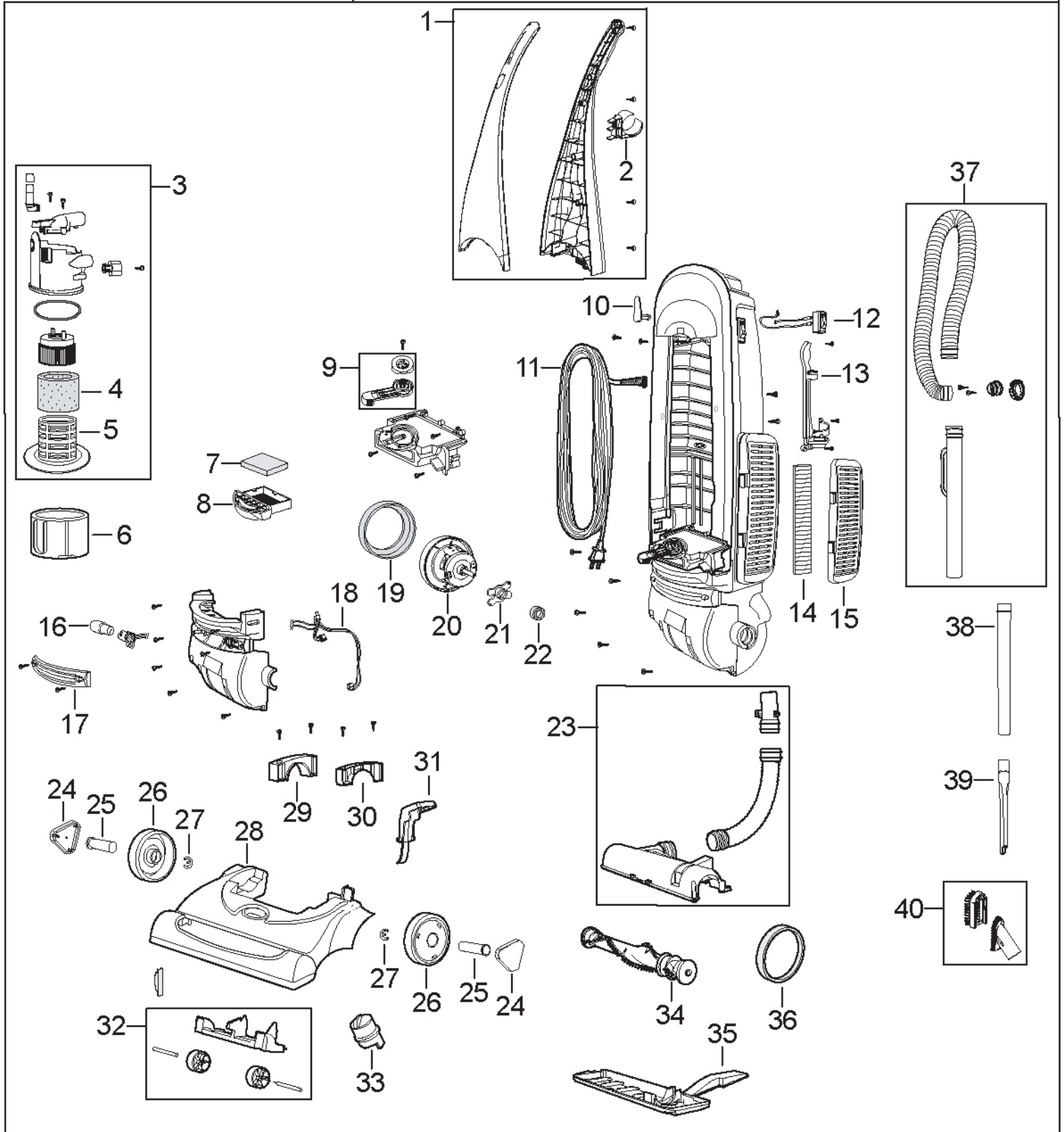




CLENVIEW BAGLESS

Model 3593-2



Bissell Homecare Inc. (U.S.)
 Phone: 1-800-457-1509
 Fax: 1-800-517-9535
 partner.bissell.com

Bissell Canada
 Phone: 1-800-465-1283 ext. #28
 Fax: 905-356-0625
 Email: Canada.custhelp@bissell.com

Issued: May 2004

Revised: March 2005

© 2005 BISSELL Homecare, Inc.

BAGLESS VACUUM

CleanView™ Model 3593-2



KEY	PART NO	DESCRIPTION
1	2032069	Upper Handle Assy. - Wine Red
2	2031028	Hanger - Hose
3	2031225	Upper Tank Assy
4	2031085	Separation Flange Filter
5	2032042	Separation Flange Frame
6	2031117	Dirt Cup
7	2031073	Pre Motor Filter
8	2032058	Pre Motor Filter Tray - Med Gray
9	2031119	Lock n' Seal Lever - Med Grey
10	2031018	Cord Release
11	2031067	Power Cord
12	2031035	Switch - Rocker
13	2031076	Tool Caddy
14	2231047	Post Motor Filter - 3M/HEPA
15	2031011	Post Motor Filter Grill
16	2031007	Lamp - Incandescent
17	2031008	Headlight Lens
18	2031034	Wire Harness - Thermo
19	2031218	Motor Cushion - Large
20	2031214	Motor
21	2031217	Motor Support
22	2031107	Motor Cushion - Small
23	2032039	Case Drum Assy.
24	2032066	Wheel Cap - Wine Red
25	2032547	Axle
26	2032037	Rear Wheel
27	2032548	E-Ring
28	2032068	Top Cover - Wine Red
29	2031040	Right Neck Brush
30	2031039	Left Neck Brush
31	2030052	Lever Release
32	2032556	Roller Assy. W/ Axle
33	2031095	Height Adjustment Knob
34	2032013	Brush
35	2032036	Access Plate
36	2031093	Belt
37	2032035	Hose Assy.
38	2031084	Extension Wand
39	2031063	Crevice Tool
40	2031228	Dust Brush Combo Tool
xx	2031003	Screw - Handle/Hose Cuff
xx	2102564	User's Guide

BISSELL Homecare, Inc. (U.S.)
Phone: 1-800-457-1509
Fax: 1-800-517-9535
partner.bissell.com

Bissell Canada
Phone: 1-800-465-1283 ext. #28
Fax: 905-356-0625
Email: Canada.custhelp@bissell.com

Issued: 05/04
Revised: 03/05
© 2005 BISSELL Homecare, Inc.