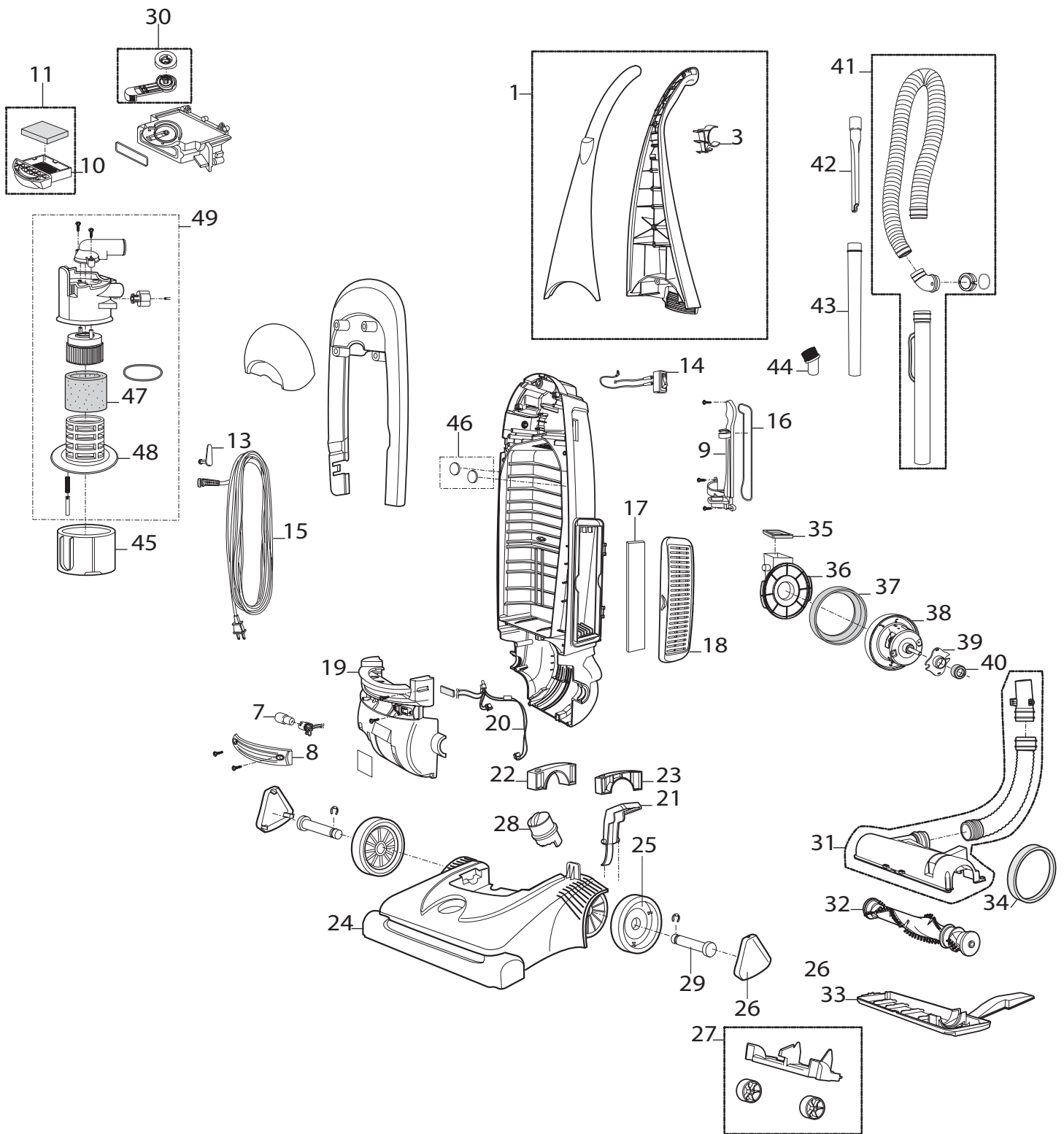




CleanView Bagless

Model 3591



BISSELL Service Center Dept.
1-800-457-1509
Fax: 1-800-517-9535

issued: 7/02

revision:

page:

Upright Vacuum

CleanView™ Bagless Power Trak™ Model 3591



KEY	PART NO	DESCRIPTION
1	2032041	Upper Handle Assy. - Plum
3	2031028	Hanger - Hose
7	2031007	Lamp - Incandescent
8	2031008	Window - Lamp
9	2031076	Tool Caddy
10	2031118	Pre Motor Filter Tray - Gray
11	2031073	Pre Motor Filter
13	2031018	Cord Release
14	2031035	Switch - Rocker
15	2031067	Power Cord 35'
16	2031077	Gasket
17	32076	Post Motor Filter - HEPA Media
18	2031011	Post Motor Filter Grill
20	2031034	Wire Harness - Thermo
21	2030052	Lever Release
22	2031040	Right Neck Brush
23	2031039	Left Neck Brush
24	2032040	Foot Cover - Plum
25	2032037	Wheel
26	2032038	Wheel Cap
27	2031080	Roller Assy. W/ Axle
28	2031079	Knob - Dusk Blue
28	2031122	Knob - Gray
30	2031119	Lock n' Seal Lever - Gray
31	2032039	Case Drum Assy.
32	2032013	Brush
33	2032036	Access Plate
34	32074	Belt
35	2031058	Motor Seal
36	2031057	Motor Case
37	2031060	Motor Cushion - Large
38	2031052	Motor
39	2031054	Motor Support
40	2031061	Motor Cushion - Small
41	2032012	Hose Assy. - Clear
42	2031063	Crevice Tool
43	2031084	Extension Wand
44	2031083	Dust Brush Tool
45	2031117	Dirt Cup - Clear
46	2031082	Gasket Set
47	2031085	Separation Flange Filter
48	2032042	Separation Flange Frame - Yellow
49	2032034	Upper Tank Assy. - Clear/Yellow
xx	2106041	User's Guide

Issued: 07/02

Revised: 04/03

© 2003 BISSELL Homecare, Inc.

BISSELL Service Center Dept

1-800-457-1509

Fax 1-800-517-9535

partner.bissell.com