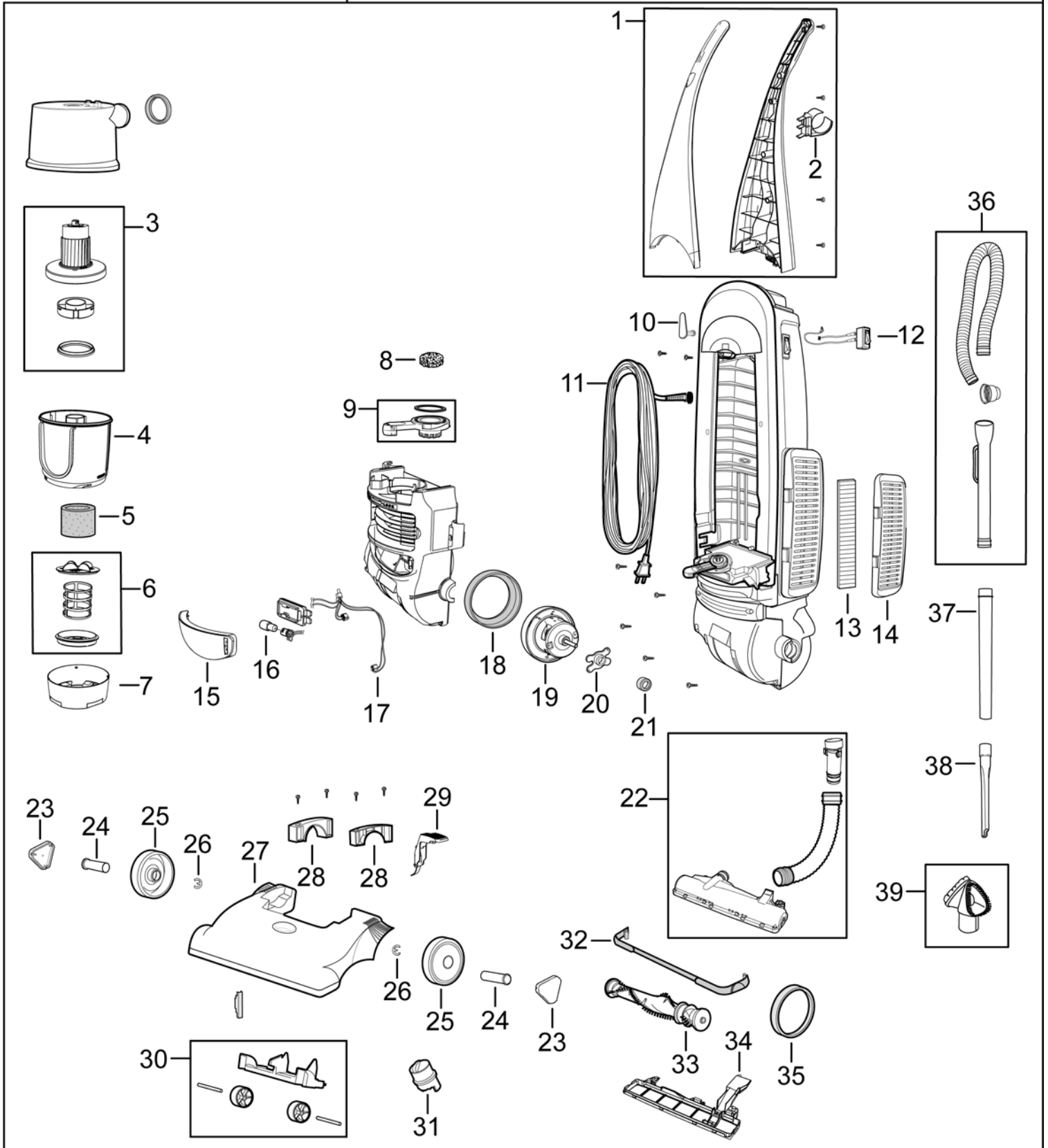




CLEANVIEW II BAGLESS

Model 3576U



BISSELL Service Center Dept.
1-800-457-1509
Fax: 1-800-517-9535
partner.bissell.com

Issued: November 2004

©2004 BISSELL Homecare, Inc.

BAGLESS VACUUM

CleanView II™ Model 3576U



KEY	PART NO	DESCRIPTION
1	2032143	Upper Handle Assy. - Porsche Red
2	2031028	Hanger - Hose
3	2031180	Cyclone Assy
4	2031250	Dirt Cup
5	2031192	Foam Filter
6	2031183	HEPA Filter
7	2031251	Filter Case
8	2031215	Lever Filter
9	2031190	Lock n' Seal Lever
10	2031198	Cord Release
11	2031067	Power Cord
12	2031035	Switch - Rocker
13	2231047	Post Motor Filter - 3M/HEPA
14	2031088	Post Motor Filter Grill
15	2031248	Headlight Lens
16	2031007	Lamp - Incandescent
17	2031213	Wire Harness - Thermo
18	2031218	Motor Cushion - Large
19	2031214	Motor
20	2031217	Motor Support
21	2031107	Motor Cushion - Small
22	2031240	Case Drum Assy.
23	2032065	Wheel Cap - Black
24	2032547	Axle
25	2032037	Rear Wheel
26	2032548	E-Ring
27		Top Cover - Porsche Red
28	2031222	Neck Brush
29	2030052	Lever Release
30	2031330	Roller Assy. W/ Axle
31	2031095	Height Adjustment Knob
32	2031241	Bumper
33	2031195	Brush
34	2031185	Access Plate
35	2031093	Belt
36	2031249	Hose Assy.
37	2031084	Extension Wand
38	2031063	Crevice Tool
39	2031099	Dust Brush Combo Tool
xx	2031003	Screw - Handle/Hose Cuff
xx	2032559	User's Guide

***** On March, 30 2005 (serial number 05089) we began building this unit with a 12 volt light bulb. Make sure you check the serial number when ordering the vacuum motor or the light bulb. *****

BISSELL Homecare, Inc. (U.S.)

Phone: 1-800-457-1509

Fax: 1-800-517-9535

partner.bissell.com

Bissell Canada

Phone: 1-800-465-1283 ext. #28

Fax: 905-356-0625

Email: Canada.custhelp@bissell.com

Issued: 05/04

Revised: 11/05

© 2005 BISSELL Homecare, Inc.