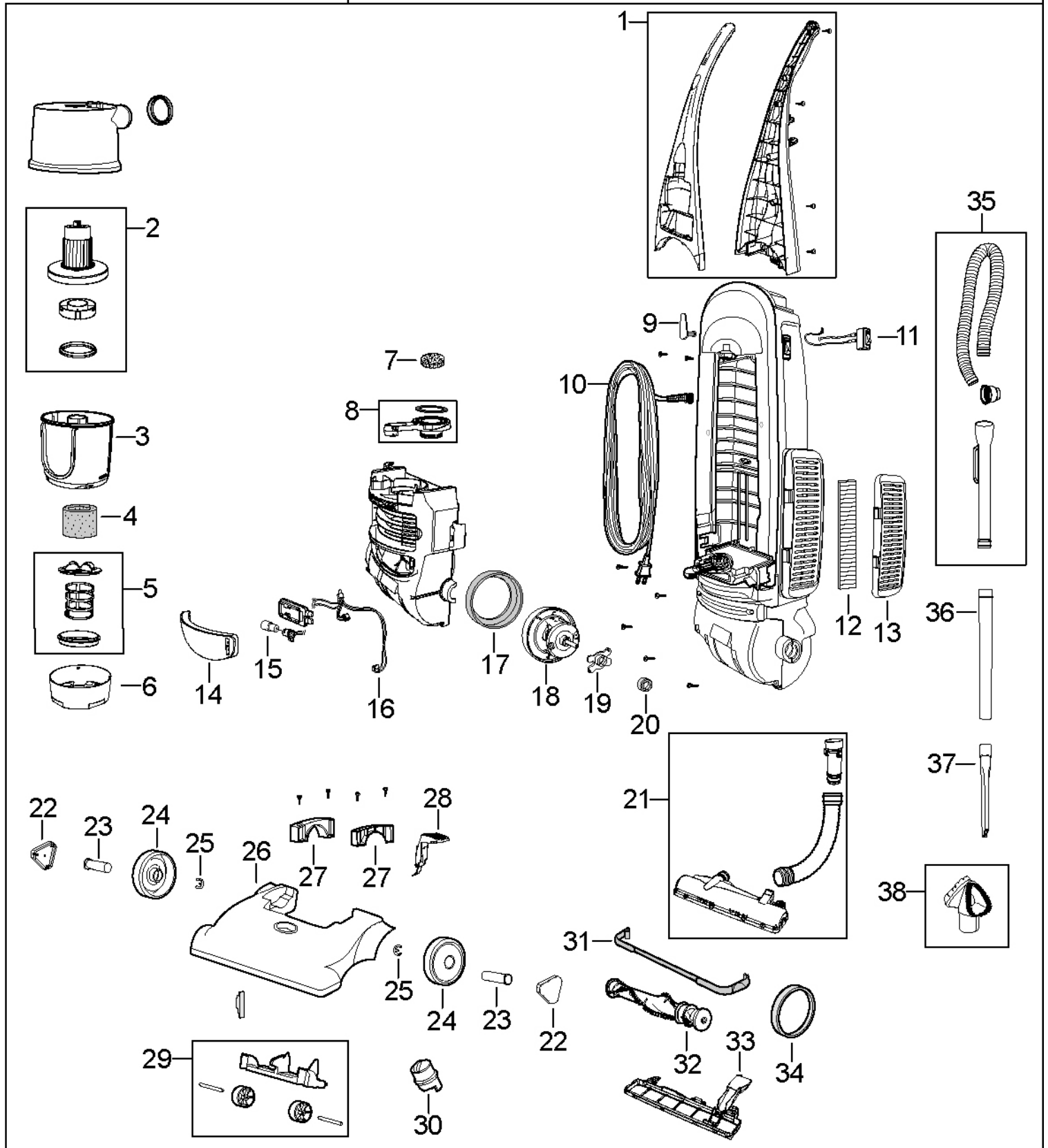




CLEANVIEW II BAGLESS

Model 3576-1



BISSELL Service Center Dept.
1-800-457-1509
Fax: 1-800-517-9535
partner.bissell.com

Issued: July 2004

©2004 BISSELL Homecare, Inc.

BAGLESS VACUUM

CleanView II™ Deluxe Model 3576-1



KEY	PART NO	DESCRIPTION
1	2035806	Upper Handle Assy. - Storm Blue
2	2031180	Cyclone Assy
3	2031250	Dirt Cup
4	2031192	Foam Filter
5	2031183	HEPA Filter
6	2031251	Filter Case
7	2031215	Lever Filter
8	2031190	Lock n' Seal Lever
9	2031198	Cord Release
10	2031067	Power Cord
11	2031035	Switch - Rocker
12	2231047	Post Motor Filter - 3M/HEPA
13	2031088	Post Motor Filter Grill
14	2031248	Headlight Lens
15	2031007	Lamp - Incandescent
16	2031213	Wire Harness - Thermo
17	2031218	Motor Cushion - Large
18	2031214	Motor
19	2031217	Motor Support
20	2031107	Motor Cushion - Small
21	2031240	Case Drum Assy.
22	2032065	Wheel Cap - Black
23	2032566	Axle
24	2032037	Rear Wheel
25	2032548	E-Ring
26	2032062	Top Cover - Storm Blue
27	2031222	Neck Brush
28	2030052	Lever Release
29	2031330	Roller Assy. W/ Axle
30	2031095	Height Adjustment Knob
31	2031241	Bumper
32	2031195	Brush
33	2031185	Access Plate
34	2031093	Belt
35	2031249	Hose Assy.
36	2031084	Extension Wand
37	2031063	Crevice Tool
38	2031099	Dust Brush Combo Tool
xx	2031227	Turbobrush
xx	2031003	Screw - Handle/Hose Cuff
xx	2032559	User's Guide

BISSELL Homecare, Inc. (U.S.)

Phone: 1-800-457-1509

Fax: 1-800-517-9535

partner.bissell.com

Bissell Canada

Phone: 1-800-465-1283 ext. #28

Fax: 905-356-0625

Email: Canada.custhelp@bissell.com

Issued: May 2004

Revised: November 2005

© 2005 BISSELL Homecare, Inc.