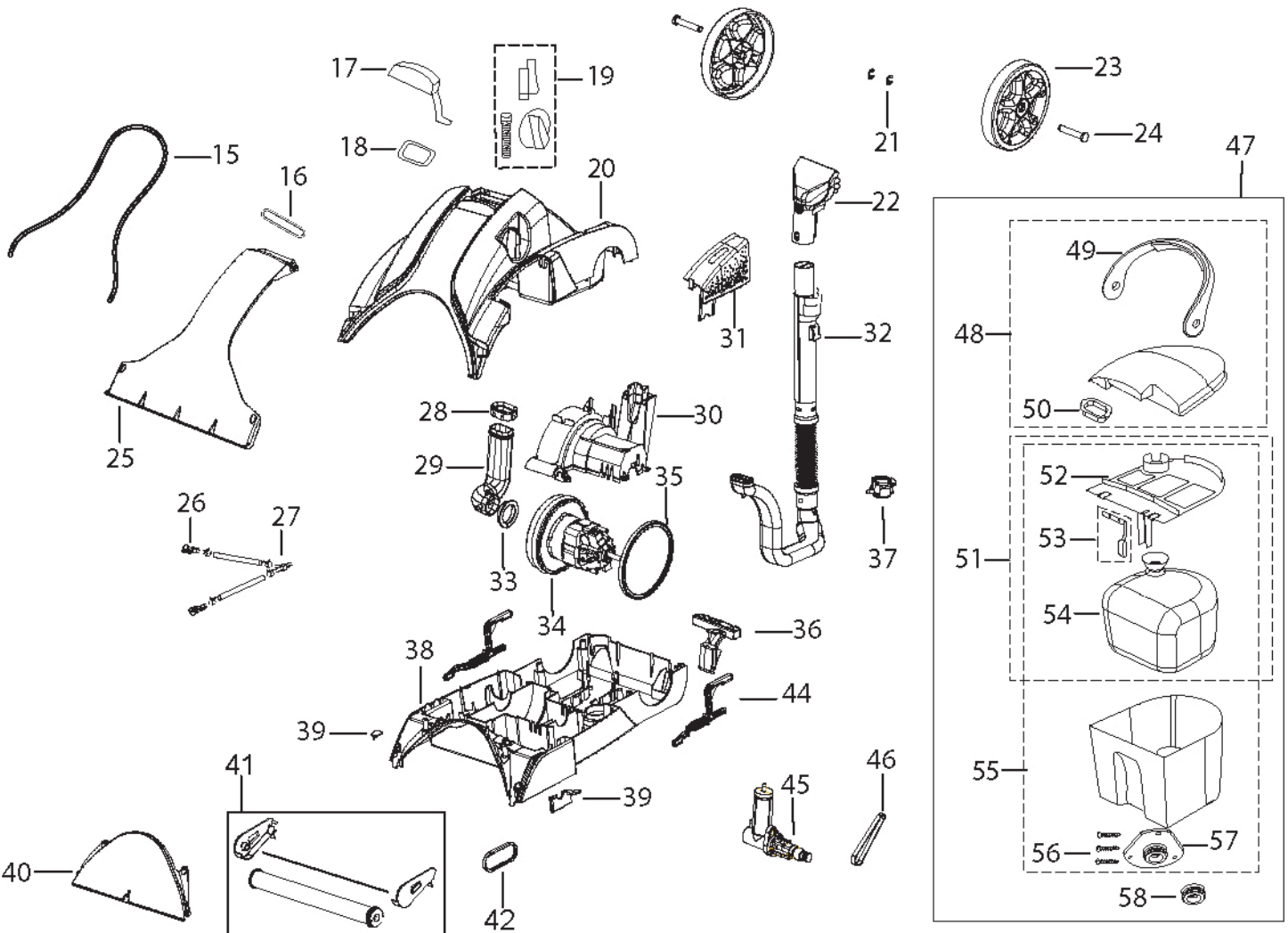
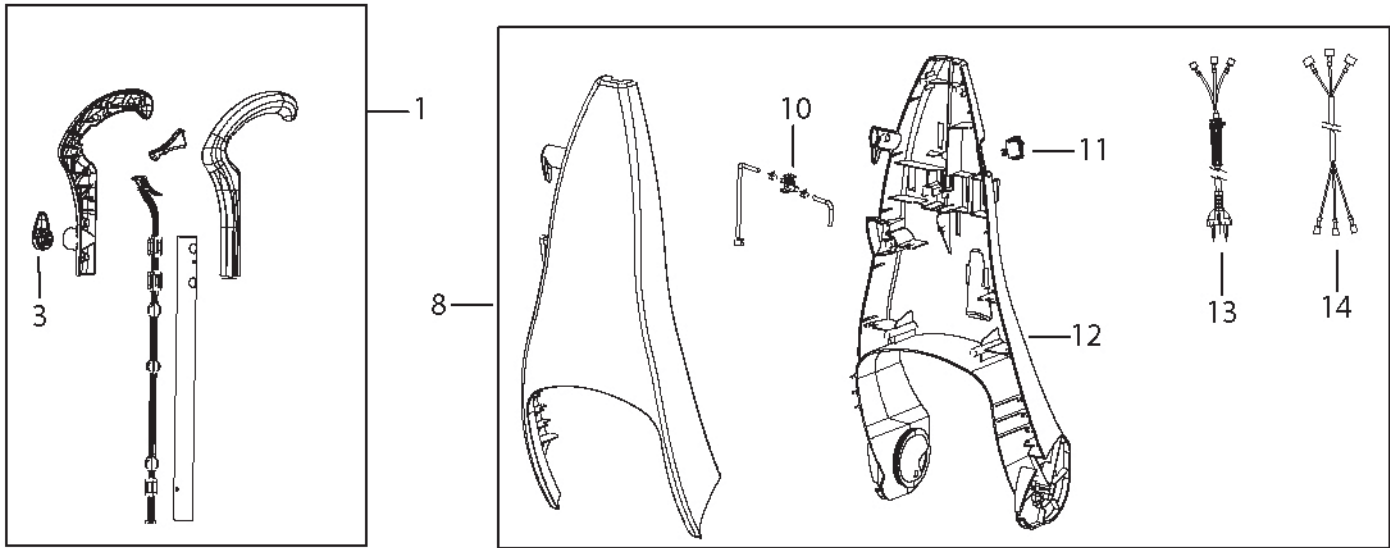




# Upright Deep Cleaner

## Model 1692



Bissell Homecare Inc. (U.S.)  
 Phone: 1-800-457-1509  
 Fax: 1-800-517-9535  
 partner.bissell.com

Bissell Canada  
 Phone: 1-800-465-1283 ext. #28  
 Fax: 905-356-0625  
 Email: Canada.custhelp@bissell.com

Issued: August 2003

Revised: April 2005

© 2005 BISSELL Homecare, Inc.

**UPRIGHT DEEP CLEANER****POWERSTEAMER 1692**

KEY	PART NO	DESCRIPTION
1	2144035	HANDLE & GRIP ASSY - MIDNIGHT BLUE
3	2106377	CORD WRAP - MIDNIGHT BLUE
8	5556101	LOWER HANDLE COMP. - MIDNIGHT BLUE
10	2109592	VALVE ASSY W/ VINYL TUBE
11	5559125	SWITCH ROCKER, RED
12	2144045	HANDLE BACK ASSY - MIDNIGHT BLUE
13	2102836	CORD
14	2104446	HARNES W/ INS TERMINALS
15	2103418	GASKET EXTRUDED .136" x 32"
16	2104052	TANK INTERFACE SEAL
17	2136988	DIVERTER, MED COOL GREY
18	2114054	DIVERTER GASKET
19	2145170	DIVERTER KNOB
20	2154938	MAIN HOUSING - MIDNIGHT BLUE
21	2106215	AXLE E-RING
22	2159155	TUFF STAIN TOOL 3"
23	2139754	WHEEL
24	2100170	AXLE
25	2149871	WINDOW NOZZLE
26	2106107	SPRAY TIP
28	2104050	DUCT GASKET
29	2103161	MOTOR DUCT
30	2132984	MOTOR COVER
31	2142952	BELT COVER - MIDNIGHT BLUE
32	2153162	HOSE/DUCT/GRIP ASSY 6'
33	2104051	MOTOR INTAKE GASKET
34	0175972	MOTOR
35	2104056	MOTOR GASKET
36	5559102	PEDAL - HANDLE RELEASE
37	2140710	AUTOLOAD RECEIVER
38	2140449	BASE W/ ROTARY BRUSH
39	5559113	ARM RETAINER RT & LT
40	2149867	CLEARVIEW WINDOW <02120
40	2149851	CLEARVIEW WINDOW >02165
41	2101157	BRUSH / PIVOT ARM ASSY - 4 Row
42	0150621	BRUSH BELT
44	2000010	LEVER ELEVATOR LEFT & RIGHT
45	2107181	PUMP
46	2150628	PUMP BELT
47	0159043	TANK ASSY W/ LINT SCN
48	0154439	TANK LID W/ SCN, GASKET, & HANDLE
49	2034435	TANK HANDLE
50	2133501	LINT SCREEN, RED
51	2140213	BAFFLE & BLADDER ASSY
52	2130213	BAFFLE & FLOAT ASSY
53	2140325	FLOAT ASSY
54	2100315	BLADDER
55	0159041	TANK BOTTOM W/ AUTOLOAD
56	2807075	SCREW #6 x 1/2
57	2107041	AUTO LOAD ASSY
58	2106241	OVERSEAL FOR AUTOLOAD
xx	2035616	HANDLE SCREW
xx	2102485	CLAMP LARGE
xx	2102490	CLAMP SMALL
xx	2102602	CONNECTOR T
xx	2139438	TUBE VINYL 20"
xx	2139449	TUBE VINYL 7.5"
xx	2141782	DRAIN CAP - RECOVERY TANK
xx	2158001	T ASSY ODD BARB
xx	5557030	SCREW #8 x 3/4 6-PACK
xx	3105802	USER'S GUIDE - CANADA
xx	2105898	USER'S GUIDE - UNITED STATES

BISSELL Homecare, Inc. (U.S.)  
 Phone: 1-800-457-1509  
 Fax: 1-800-517-9535  
 partner.bissell.com

Bissell Canada  
 Phone: 1-800-465-1283 ext. #28  
 Fax: 905-356-0625  
 Email: Canada.custhelp@bissell.com

Issued: 05/02  
 Revised: 04/05  
 © 2005 BISSELL Homecare, Inc.