



**AMETEK**  
**LAMB ELECTRIC**

**Product Bulletin**

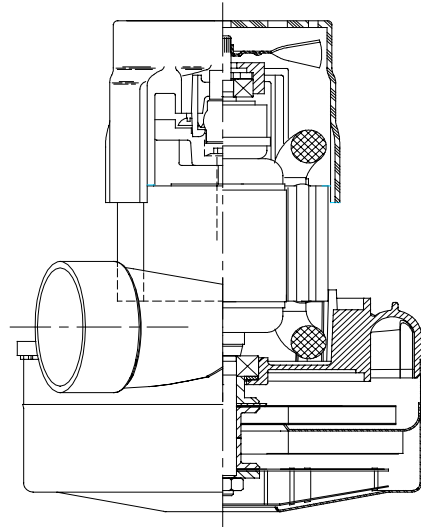
**Model: 119633-07**

**DESCRIPTION**

- Double stage
- 120 volts
- 5.7" / 145 mm diameter
- Dual ball bearings
- Single speed
- Tangential bypass discharge
- Aluminum fan end bracket
- Aluminum commutator bracket

**DESIGN APPLICATION**

- Equipment operating in environments requiring separation of working air from motor ventilating air
- Designed to handle clean, dry, filtered air only

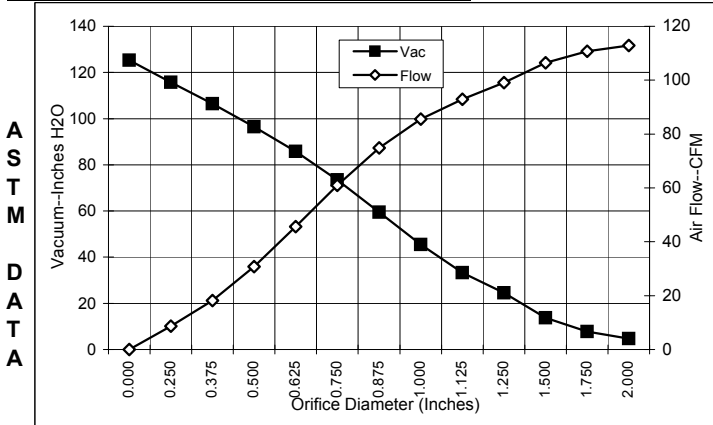


**SPECIAL FEATURES**

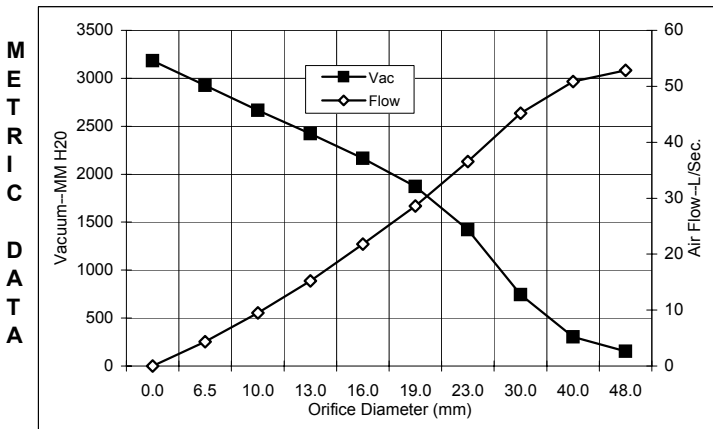
- Suitable for 120 volt AC operation, 50/60 Hz
- UL recognized, category PRGY2 (E47185)
- Provision for grounding
- Skeleton frame design
- Tapered fan system
- The Lamb vacuum motor line offers a wide range of performance levels to meet design needs

**TYPICAL MOTOR PERFORMANCE.\***

(At 120 volts, 60Hz, test data is corrected to standard conditions of 29.92 Hg, 68° F.)



Orifice (Inches)	Amps	Watts (In)	RPM	Vac (In.H <sub>2</sub> O)	Flow (CFM)	Air Watts
2.000	14.2	1629	22820	4.7	112.9	62
1.750	14.1	1621	22820	7.7	110.7	101
1.500	14.2	1629	22720	13.7	106.4	171
1.250	14.2	1633	22760	24.6	99.1	287
1.125	14.3	1641	22720	33.2	92.9	362
1.000	14.2	1632	22780	45.5	85.5	457
0.875	14.0	1612	22970	59.5	74.8	523
0.750	13.5	1540	23400	73.4	60.9	525
0.625	12.7	1472	24070	85.8	45.6	460
0.500	11.8	1370	25020	96.5	30.8	349
0.375	10.8	1253	26070	106.4	18.2	228
0.250	9.9	1153	27410	115.7	8.7	118
0.000	9.1	1061	27990	125.3	0.0	0



Orifice (mm)	Amps	Watts (In)	RPM	Vac (mm H <sub>2</sub> O)	Flow (L/Sec)	Air Watts
48.0	14.1	1625	22820	153	52.8	79
40.0	14.2	1627	22750	302	50.8	150
30.0	14.3	1637	22738	745	45.2	328
23.0	14.1	1617	22923	1422	36.6	507
19.0	13.5	1539	23413	1871	28.6	524
16.0	12.8	1475	24043	2167	21.8	463
13.0	11.9	1380	24925	2424	15.2	360
10.0	10.9	1271	25913	2665	9.5	246
6.5	9.9	1158	27343	2927	4.3	124
0.0	9.1	1061	27990	3183	0.0	0

Note: Metric performance data is calculated from the ASTM data above.

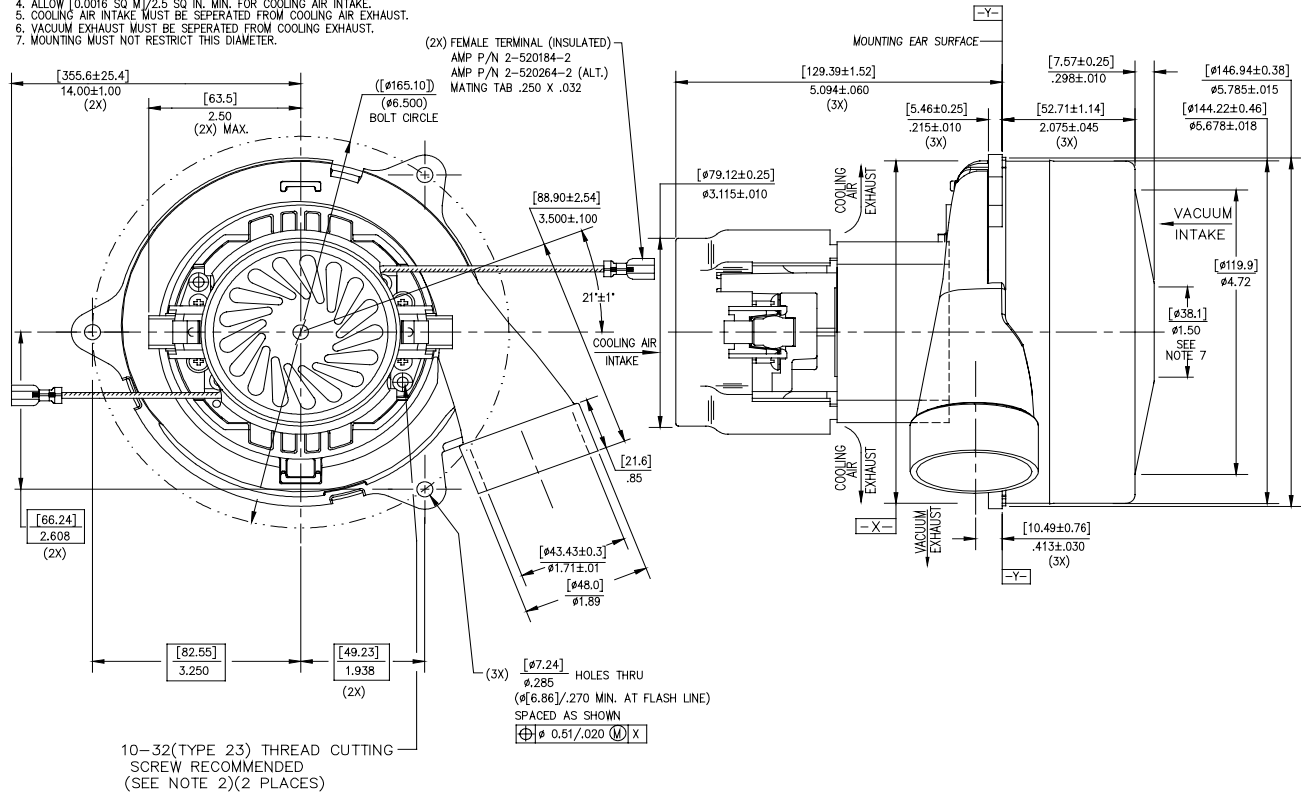
\* Data represents performance of a typical motor sampled from production quantity. Individual motor data may vary due to normal manufacturing variations

<b>Test Specs:</b>				
--------------------	--	--	--	--

**DIMENSIONS**

**NOTES:**

1. LEADS: 18GA STRANDED, LEADS CAN BE ANY COLOR EXCEPT GREEN OR GREEN WITH YELLOW STRIPE.
2. GROUNDING OR EARTHING PROVISIONS: USE HOLES AS INDICATED FOR GROUNDING OR EARTHING. REFER TO APPROPRIATE LISTING OR REGULATORY AGENCY FOR PROPER METHOD OF GROUNDING OR EARTHING.
3. MOTOR IDENTIFICATION: MANUFACTURER'S NAME, MODEL NUMBER, VOLTAGE, FREQUENCY, INSPECTORS CODE, DATE OF MANUFACTURE, AGENCY RECOGNITION CODE, PLANT LOCATION CODE, PATENT INFORMATION, "ONE OR MORE OF THE FOLLOWING PATENTS APPLY TO THIS MOTOR: 5482378, 5736805, 4669952, 4684835". AND MADE IN THE USA.
4. ALLOW 10.0016 SQ MI/2.5 SQ IN. MIN. FOR COOLING AIR INTAKE.
5. COOLING AIR INTAKE MUST BE SEPERATED FROM COOLING AIR EXHAUST.
6. VACUUM EXHAUST MUST BE SEPERATED FROM COOLING EXHAUST.
7. MOUNTING MUST NOT RESTRICT THIS DIAMETER.



**IMPORTANT NOTE:** Pictorial and dimensional data are subject to change without notice. Contact factory for current revision levels.

**WARNING** - When using AMETEK/Lamb Electric bypass motors in machines that come in contact with foam, liquid (including water) of other foreign substances, the machine must be designed and constructed to prevent those substances from reaching the fan system, motor housing and electrical components. Lamb vacuum motors other than hazardous duty models should not be applied in machines that come in contact with dry chemicals or other volatile materials. Failure to observe these precautions could cause flashing (depending on volatility) or electrical shock which could result in property damage and severe bodily injury, including death in extreme cases. All applications incorporating Lamb motors should be submitted to appropriate organizations or agencies for testing specifically related to the safety of your equipment.

**AMETEK/Lamb Electric Division**  
 627 Lake Street  
 Kent, Ohio 44240  
 U.S.A.  
 Tel: (330) 673-3451  
 Fax: (330) 673-8994

**Ametek GmbH**  
 P. O. Box 1251  
 D-71667 Marbach  
 Germany  
 Phone: + 49-714-484-9512  
 Fax: + 49-714-484-9513

**AMETEK/Singapore Private Limited**  
 10 Ang Mo Kio Street 65  
 # 05-12 Techpoint  
 Singapore 2056  
 Tel: + 65-484-2388  
 Fax: + 65-481-6588