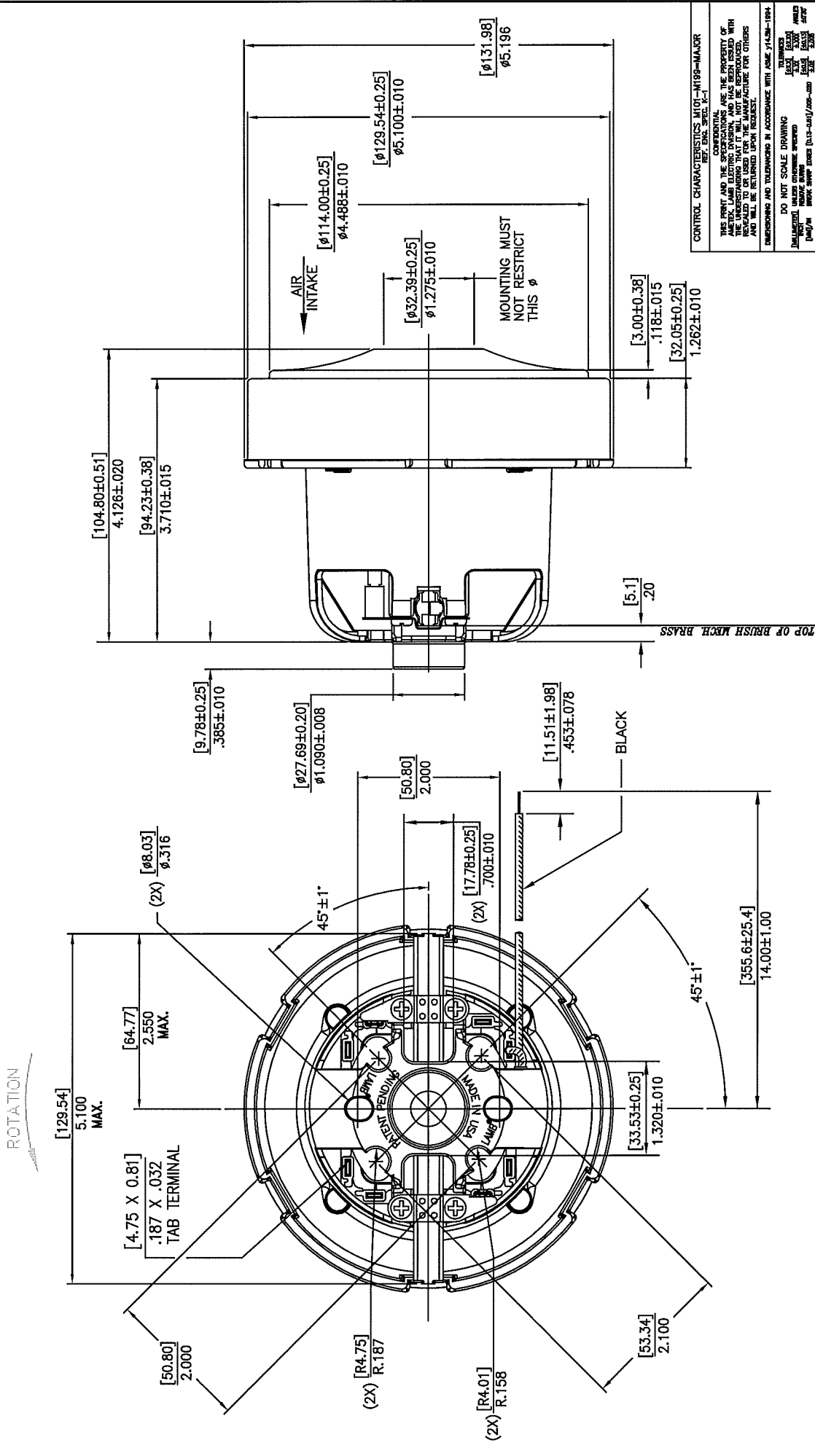


NOTES:
 1. MOTOR IDENTIFICATION: MODEL NUMBER, DATE OF MANUFACTURE, AGENCY RECOGNITION CODE, INSPECTORS CODE WITH "F" SUFFIX, MANUFACTURERS NAME, PLANT LOCATION CODE, MADE IN U.S.A., VOLTAGE AND FREQUENCY AND CUSTOMER PART NUMBER "1-260300-000" TO APPEAR ON MOTOR.
 2. LEADS: 18GA. UNISTRAND, XLPE, 125C.
 3. THERMOSTAT & LEAD SUBASSEMBLY HAS A 7AM329B5 THERMOSTAT FASTENED TO THE FIELD COIL.

REV./ECN NO.	CHANGE	DATE
A	RELEASED TO PRODUCTION, 3716L010 WAS 4/28/99	4/28/99
B	3716L010 WAS 4/28/99 WAS 4/28/99	4/28/99
C	27475 18GA. UNISTRAND, XLPE, 125C. NOTE 3.	5/19/99
D	27475 18GA. UNISTRAND, XLPE, 125C. NOTE 3.	6/4/99
E	28028 NOTE 1, ADDR. CUSTOMER P/N "741701(0)", 11/9/99	11/9/99



REV./ECN NO.	CHANGE	DATE
A	RELEASED TO PRODUCTION, 3716L010 WAS 4/28/99	4/28/99
B	3716L010 WAS 4/28/99 WAS 4/28/99	4/28/99
C	27475 18GA. UNISTRAND, XLPE, 125C. NOTE 3.	5/19/99
D	27475 18GA. UNISTRAND, XLPE, 125C. NOTE 3.	6/4/99
E	28028 NOTE 1, ADDR. CUSTOMER P/N "741701(0)", 11/9/99	11/9/99

CONTROL CHARACTERISTICS: M107-M199-MAJOR
 REF. ENG. SPEC. X-1

THIS PRINT AND THE SPECIFICATIONS ARE THE PROPERTY OF AMETEK, LAMB ELECTRIC DIVISION, AND HAS BEEN ISSUED WITH THE UNDERSTANDING THAT IT IS LOANED TO YOU FOR YOUR USE ONLY AND WILL BE RETURNED UPON REQUEST.

DO NOT SCALE DRAWING
 DIMENSIONS ARE IN INCHES
 UNLESS OTHERWISE SPECIFIED
 DIMENSIONS IN PARENTHESES ARE FOR INFORMATION ONLY
 DIMENSIONS IN SQUARE BRACKETS ARE FOR INFORMATION ONLY

SCALE: 1:1
 SHEET NO.: 75511
 REV. NO.: 119443-00-0

DATE: 4-28-99
 BY: H. HUGHES
 TITLE: OUTLINE, 120V SIK. C

AMETEK
 LAMB ELECTRIC DIVISION
 KENT, OHIO 44240