

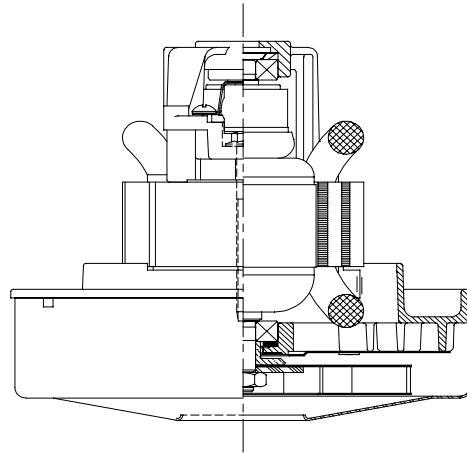


DESCRIPTION

- One stage
- 120 volts
- 5.7" 145 mm diameter
- Ball/ Ball bearings
- High Flow Performance
- Thru-flow discharge
- High Efficiency fan end bracket
- Aluminum commutator bracket

DESIGN APPLICATION

- Equipment operating in environments not requiring separation of working air from motor ventilating air
- Designed to handle clean, dry, filtered air only

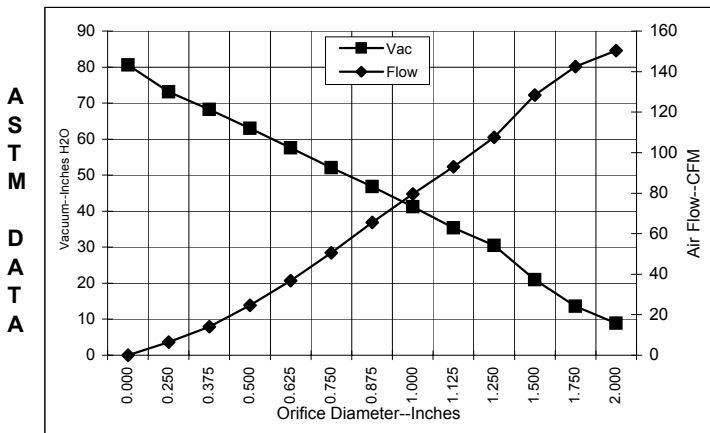


SPECIAL FEATURES

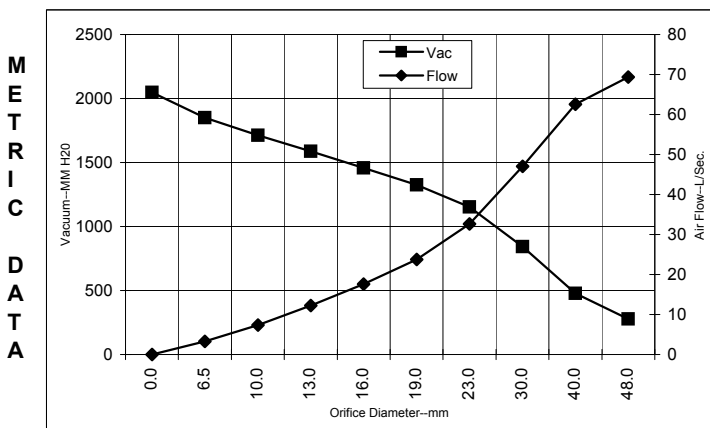
- Suitable for 120 volt AC operation, 50/60 Hz
- UL recognized, category PRGY2 (E47185)
- CSA certified, class 1611 01 (LR31393)
- Provision for grounding
- Skeleton-frame design
- The Lamb Electric vacuum motor line offers a wide range of performance levels to meet design needs

TYPICAL MOTOR PERFORMANCE.*

(At 120 volts, 60Hz, test data is corrected to standard conditions of 29.92 Hg, 68° F.)



Orifice (Inches)	Amps	Watts (In)	RPM	Vac (In.H2O)	Flow (CFM)	Air Watts
2.000	9.9	1150	25210	8.9	150.4	158
1.750	9.9	1147	25250	13.6	142.4	228
1.500	9.8	1136	25430	21.0	128.4	317
1.250	9.5	1101	25920	30.5	107.6	386
1.125	9.2	1069	26240	35.4	93.1	388
1.000	8.9	1029	26830	41.2	79.6	386
0.875	8.4	979	27460	46.8	65.6	361
0.750	7.9	919	28375	52.1	50.6	310
0.625	7.3	856	29495	57.6	36.8	250
0.500	6.7	793	30585	63.0	24.7	183
0.375	6.2	733	31995	68.2	14.0	113
0.250	5.8	686	33210	73.1	6.5	56
0.000	5.6	659	34130	80.6	0.0	0



Orifice (mm)	Amps	Watts (In)	RPM	Vac (mm H2O)	Flow (L/Sec)	Air Watts
48.0	9.9	1149	25228	279	69.3	188
40.0	9.8	1139	25376	477	62.6	290
30.0	9.3	1083	26096	843	47.0	387
23.0	8.5	992	27303	1153	32.6	367
19.0	7.8	918	28397	1326	23.8	309
16.0	7.3	859	29450	1457	17.6	252
13.0	6.8	799	30476	1586	12.2	189
10.0	6.3	742	31784	1712	7.4	123
6.5	5.8	688	33149	1851	3.2	58
0.0	5.6	659	34130	2047	0.0	0

Note: Metric performance data is calculated from the ASTM data above.

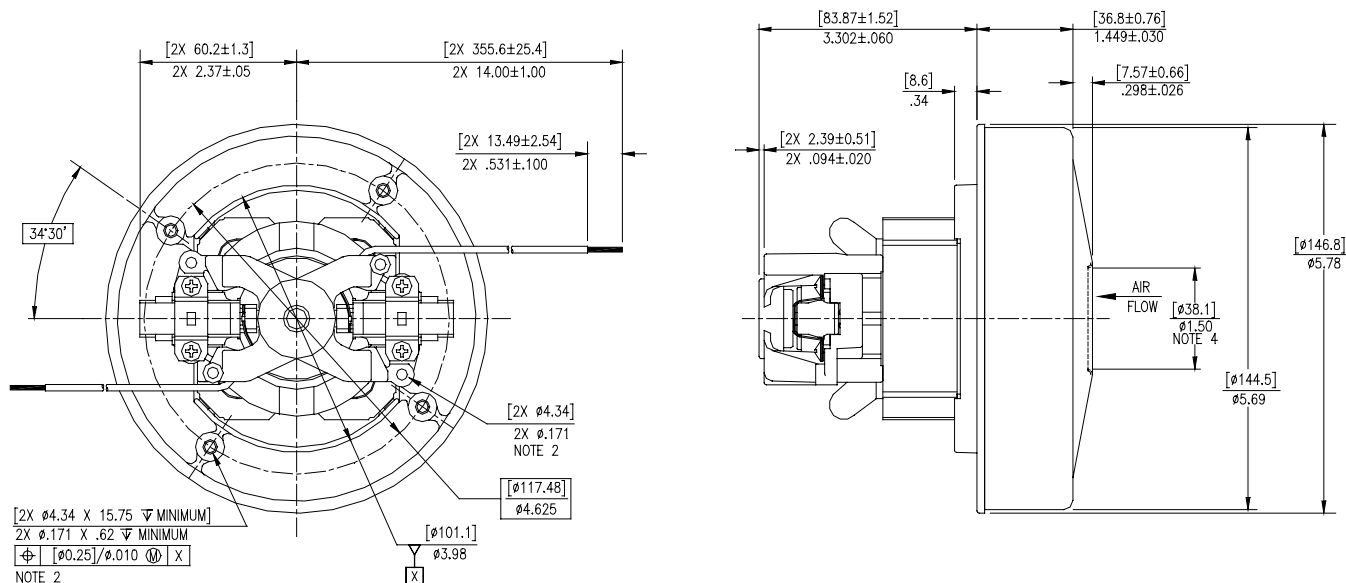
* Data represents performance of a typical motor sampled from a large production quantity. Individual motor data may vary due to normal manufacturing variations.

Test Specs:	120 volts	Minimum Sealed Vacuum:	72.0	ORIFICE:	7/8"	Minimum Vacuum:	42.0	Maximum Watts:	1000
-------------	-----------	------------------------	------	----------	------	-----------------	------	----------------	------

DIMENSIONS

NOTES:

- LEADS: 18GA. STRANDED. LEADS CAN BE ANY COLOR EXCEPT GREEN OR GREEN WITH YELLOW STRIPE.
- GROUNDING OR EARTHING PROVISIONS: USE HOLES AS INDICATED FOR GROUNDING OR EARTHING. REFER TO APPROPRIATE LISTING OR REGULATORY AGENCY FOR PROPER METHOD OF GROUNDING OR EARTHING.
- MANUFACTURER'S NAME, MODEL NUMBER, VOLTAGE, FREQUENCY, INSPECTORS CODE, DATE OF MANUFACTURE, AGENCY RECOGNITION CODE, PLANT LOCATION CODE AND "MADE IN USA" TO APPEAR ON ASSEMBLY.
- MOUNTING MUST NOT RESTRICT THIS DIAMETER.



IMPORTANT NOTE: Pictorial and dimensional data are subject to change without notice. Contact factory for current revision levels.

WARNING - AMETEK Lamb Electric thru-flow vacuum motors must never be used in applications in which wet or moist conditions are involved, where dry chemicals or other volatile materials are present, or where airflow may be restricted or blocked. Such motors are designed to permit the vacuumed air to pass over the electrical winding to cool it. Thus any foam, liquid (including water), dry chemical, or other foreign substance coming in contact with electrical conductors could cause combustion (depending on volatility) or electrical shock. Failure to observe these precautions could result in property damage and severe personal injury, including death in extreme cases. All applications incorporating Lamb Electric motors should be submitted to Underwriters Laboratories Inc. or other appropriate organizations or agencies for testing specifically related to the safety of your equipment.

AMETEK/Lamb Electric Division
 627 Lake Street
 Kent, Ohio 44240
 U.S.A.
 Tel: (330) 673-3451
 Fax: (330) 673-8994

Ametek GmbH
 P. O. Box 1251
 D-71667 Marbach
 Germany
 Phone: + 49-714-484-9512
 Fax: + 49-714-484-9513

AMETEK/Singapore Private Limited
 10 Ang Mo Kio Street 65
 # 05-12 Techpoint
 Singapore 2056
 Tel: + 65-484-2388
 Fax: + 65-481-6588