



AMETEK
LAMB ELECTRIC

Product Bulletin

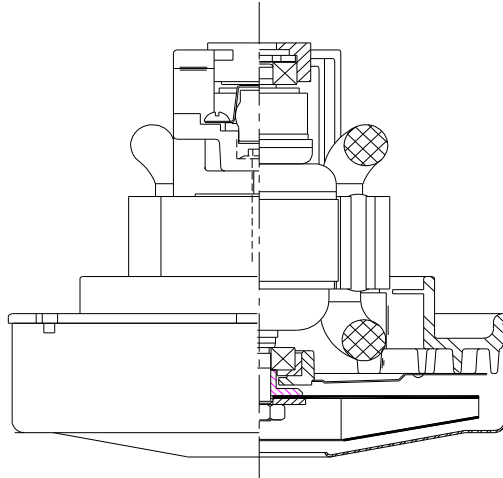
Model: 117821-00

DESCRIPTION

- Single stage
- 240 volts
- 5.7" / 145mm diameter
- Dual ball bearings
- Single speed
- Thru-flow discharge
- Thermoset end bracket
- Aluminum commutator bracket

DESIGN APPLICATION

- Equipment operating in environments not requiring separation of working air from motor ventilating air
- Designed to handle clean, dry, filtered air only

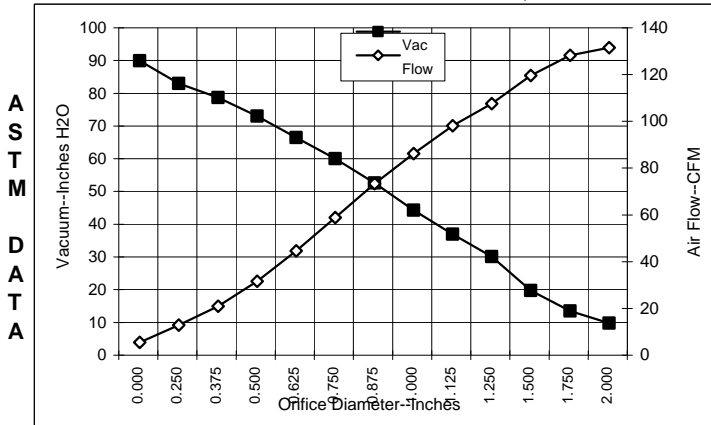


SPECIAL FEATURES

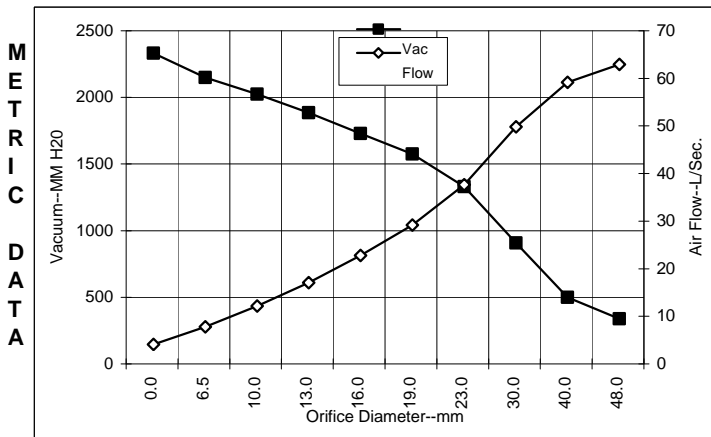
- Suitable for 240 volt AC operation, 50/60 Hz
- UL recognized, category PRGY2 (E47185)
- Provision for grounding
- Skeleton frame design
- Tapered fan system
- The Lamb vacuum motor line offers a wide range of performance levels to meet design needs

TYPICAL MOTOR PERFORMANCE.*

(At 240 volts, 60Hz, test data is corrected to standard conditions of 29.92 Hg, 68° F.)



Orifice (Inches)	Amps	Watts (In)	RPM	Vac (In.H2O)	Flow (CFM)	Air Watts
2.000	4.6	1070	25130	5.9	126.1	87
1.750	4.6	1078	25125	9.6	122.7	139
1.500	4.7	1081	25151	15.8	114.1	212
1.250	4.6	1075	25249	26.2	102.1	314
1.125	4.6	1061	25433	33.0	92.6	359
1.000	4.4	1033	25784	40.4	80.8	384
0.875	4.3	999	26231	48.7	67.9	389
0.750	4.1	946	26976	56.1	53.4	352
0.625	3.8	879	28054	62.6	39.1	287
0.500	3.4	803	29303	69.1	26.2	213
0.375	3.1	732	30636	74.8	15.5	136
0.250	2.8	669	31945	79.1	7.4	69
0.000	2.6	633	33026	86.0	0.0	0



Orifice (mm)	Amps	Watts (In)	RPM	Vac (mm H2O)	Flow (L/Sec)	Air Watts
48.0	4.6	1074	25128	191	58.8	110
40.0	4.7	1080	25143	354	55.1	190
30.0	4.6	1067	25350	760	45.7	339
23.0	4.3	1008	26119	1184	33.6	388
19.0	4.1	945	26998	1428	25.1	351
16.0	3.8	882	28011	1583	18.7	290
13.0	3.4	811	29178	1739	13.0	220
10.0	3.1	743	30436	1878	8.1	148
6.5	2.8	672	31880	2004	3.7	72
0.0	2.6	633	33026	2184	0.0	0

Note: Metric performance data is calculated from the ASTM data above.

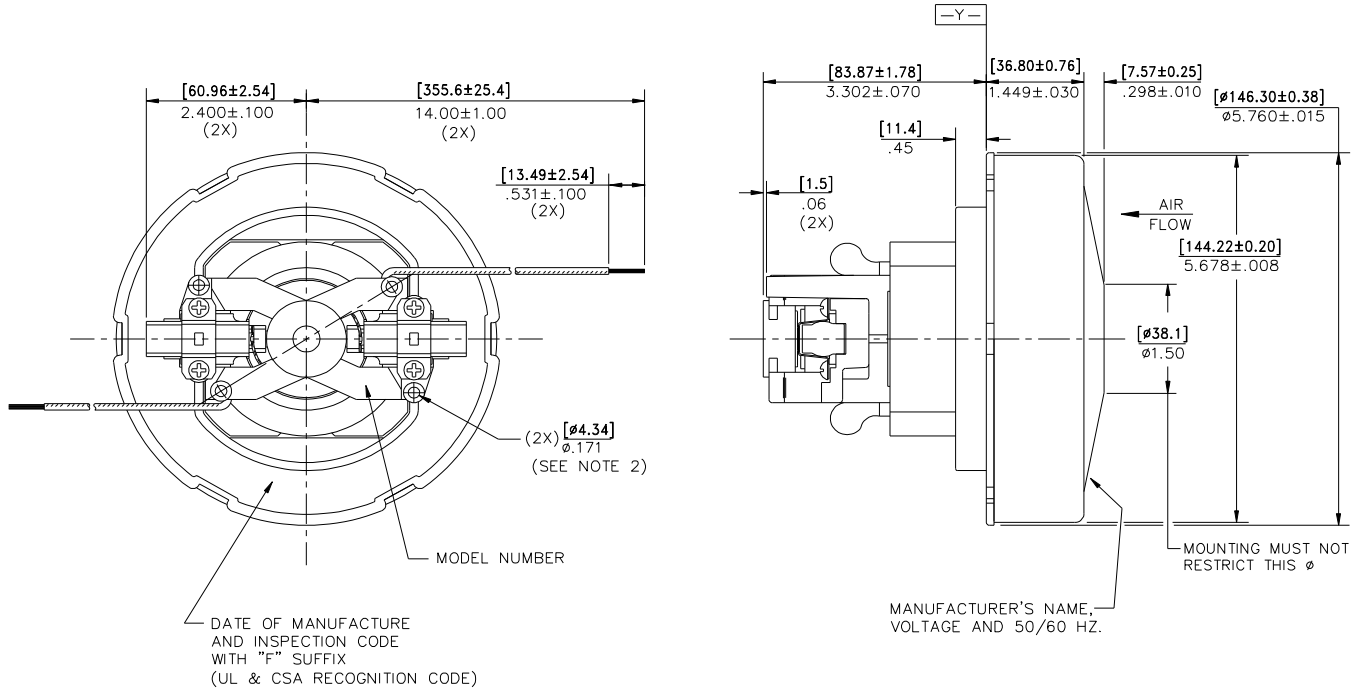
* Data represents performance of a typical motor sampled from a large production quantity. Individual motor data may vary to normal manufacturing variations.

Test Specs:	Minimum Sealed Vacuum: 82.0"	ORIFICE: 7/8"	Minimum Vacuum: 44.0"	Maximum Watts: 1200
--------------------	-------------------------------------	----------------------	------------------------------	----------------------------

DIMENSIONS

NOTES:

1. GROUNDING OR EARTHING PROVISIONS: USE HOLES AS INDICATED FOR GROUNDING OR EARTHING. REFER TO APPROPRIATE LISTING OR REGULATORY AGENCY FOR PROPER METHOD OF GROUNDING OR EARTHING.



IMPORTANT NOTE: Pictorial and dimensional data are subject to change without notice. Contact factory for current revision levels.

WARNING - Ametek/Lamb Electric thru-flow vacuum motors must never be used in applications in which wet or moist conditions are involved, where dry chemicals or other volatile materials are present or where airflow may be restricted or blocked. Such motors are designed to permit the vacuumed air to pass over the electrical winding to cool it. Thus any foam, liquid (including water), dry chemical or other foreign substance will come in contact with electrical conductors which could cause combustion (depending on volatility) or electrical shock. Failure to observe these precautions could result in property damage and severe personal injury, including death in extreme cases. All applications incorporating Lamb motors should be submitted to Underwriters Laboratories Inc. or other appropriate organizations or agencies for testing specifically related to the safety of your equipment.

AMETEK/Lamb Electric Division
 627 Lake Street
 Kent, Ohio 44240
 U.S.A.
 Tel: (330) 673-3451
 Fax: (330) 673-8994

Ametek GmbH
 P. O. Box 1251
 D-71667 Marbach
 Germany
 Phone: + 49-714-484-9512
 Fax: + 49-714-484-9513

AMETEK/Singapore Private Limited
 10 Ang Mo Kio Street 65
 # 05-12 Techpoint
 Singapore 2056
 Tel: + 65-484-2388
 Fax: + 65-481-6588