

LAMB ELECTRIC

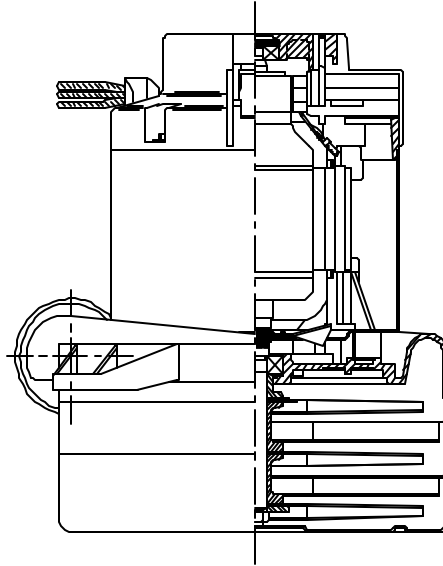
Model: 117470-12

DESCRIPTION

- Three stage
- 120 volts
- 7.2"/183 mm diameter
- Double ball bearings
- Single speed
- Tangential bypass discharge
- Aluminum fan end bracket
- Aluminum commutator bracket

DESIGN APPLICATION

- Equipment operating in environments requiring separation of working air from motor ventilating air
- Designed to handle clean, dry, filtered air only

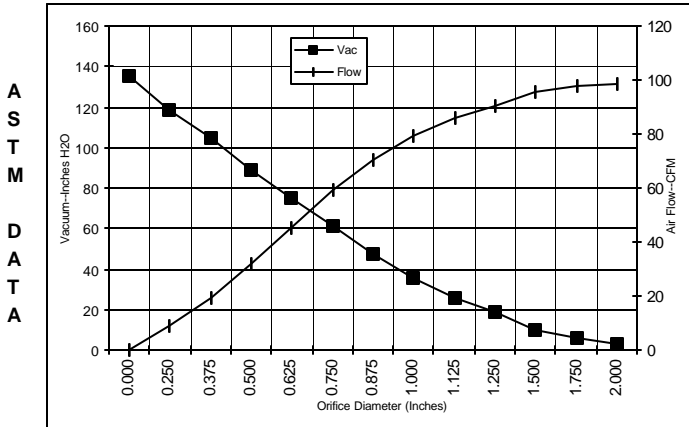


SPECIAL FEATURES

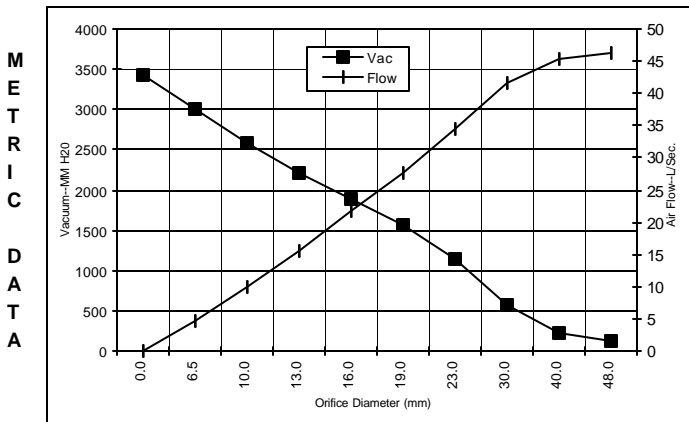
- Suitable for 120 volt AC operation, 50/60 Hz
- UL recognized, category PRGY2 (E47185)
- CSA certified, class 1611 01 (LR31393)
- Provision for grounding
- 10 mm shaft and bearing system
- Epoxy painted fan case
- Non-loading fans
- Aluminum fan end bracket designed to dampen vibration and improve durability
- The Lamb Electric vacuum motor line offers a wide range of performance levels to meet design needs

TYPICAL MOTOR PERFORMANCE.*

(At 120 volts, 60Hz, test data is corrected to standard conditions of 29.92 Hg, 68° F.)



Orifice (Inches)	Amps	Watts (In)	RPM	Vac (In.H ₂ O)	Flow (CFM)	Air Watts
2.000	12.9	1413	14420	3.4	98.5	39
1.750	13.0	1415	14440	5.7	97.6	65
1.500	13.0	1417	14390	10.1	95.5	113
1.250	13.0	1419	14380	18.8	90.4	200
1.125	13.0	1418	14360	25.8	85.8	260
1.000	13.0	1414	14390	35.5	79.5	332
0.875	12.9	1405	14470	47.7	70.6	396
0.750	12.6	1372	14710	61.5	58.9	426
0.625	12.0	1312	15180	75.2	45.2	400
0.500	11.2	1221	15900	88.9	31.5	329
0.375	10.2	1111	16890	104.3	19.2	236
0.250	9.0	979	18090	118.8	9.1	127
0.000	8.4	920	19120	135.0	0.0	0



Orifice (mm)	Amps	Watts (In)	RPM	Vac (mm H ₂ O)	Flow (L/Sec)	Air Watts
48.0	12.9	1414	14429	112	46.3	50
40.0	13.0	1416	14405	223	45.4	99
30.0	13.0	1418	14369	575	41.5	233
23.0	12.9	1407	14450	1134	34.4	380
19.0	12.6	1371	14719	1569	27.7	425
16.0	12.0	1314	15161	1896	21.6	401
13.0	11.3	1230	15828	2223	15.5	336
10.0	10.4	1128	16742	2591	9.9	250
6.5	9.1	986	18030	2999	4.5	132
0.0	8.4	920	19120	3429	0.0	0

Note: Metric Performance data is calculated from the ASTM data above.

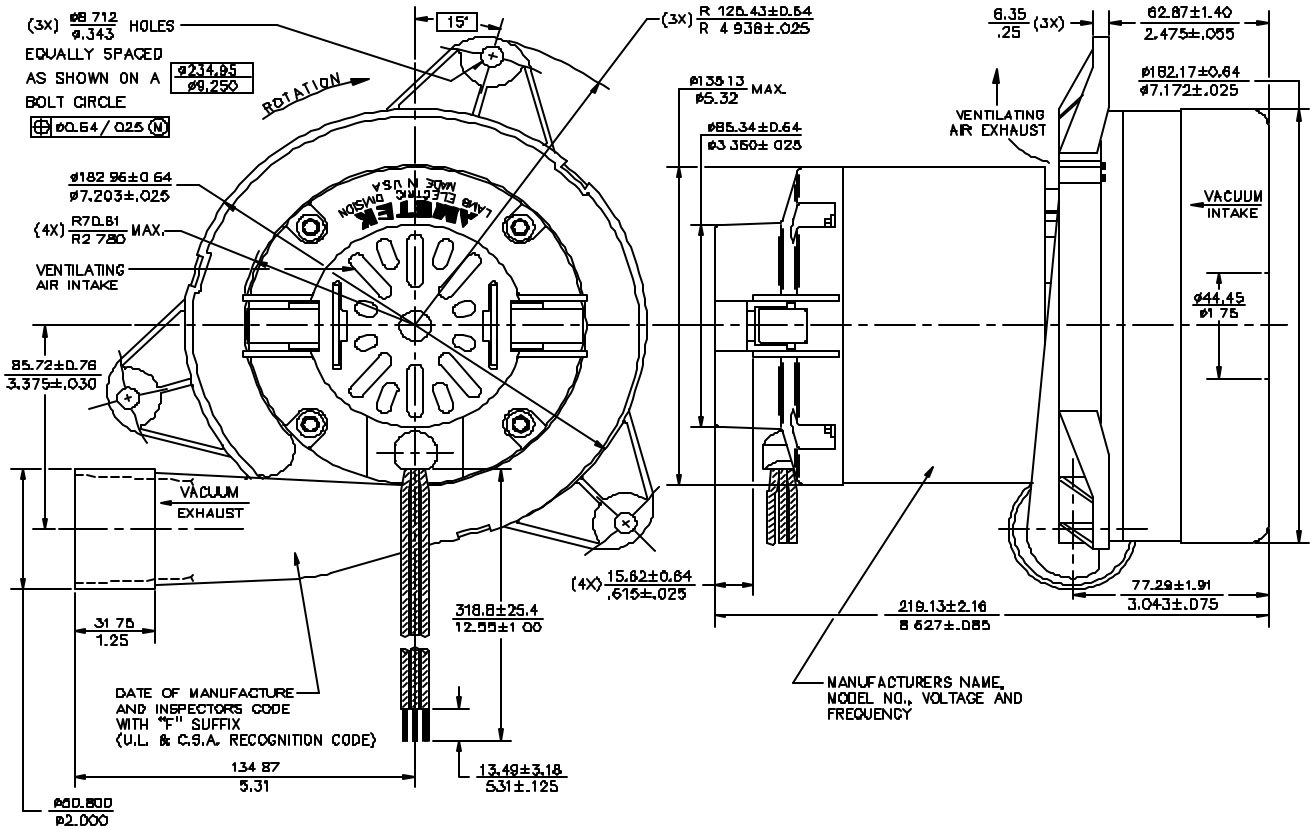
* Data represents performance of a typical motor sampled from a large production quantity. Individual motor data may vary due to normal manufacturing variat

Test Specs:	120 volts	Minimum Sealed Vacuum:	130.0"	ORIFICE:	7/8"	Minimum Vacuum:	44.0"	Maximum Watts:	1450
-------------	-----------	------------------------	--------	----------	------	-----------------	-------	----------------	------

DIMENSIONS

NOTES:

1 LEADS: 18GA STRANDED, ONE BLACK AND ONE WHITE. GROUND LEAD: 18GA STRANDED, GREEN WITH YELLOW STRIPE



IMPORTANT NOTE: Pictorial and dimensional data are subject to change without notice. Contact factory for current revision levels.

WARNING - When using AMETEK Lamb Electric bypass motors in machines that come in contact with foam, liquid (including water), or other foreign substances, the machine must be designed and constructed to prevent those substances from reaching the fan system, motor housing, and electrical components. Lamb Electric vacuum motors other than hazardous duty models should not be applied in machines that come in contact with dry chemicals or other volatile materials. Failure to observe these precautions could cause flashing (depending on volatility) or electrical shock which could result in property damage and severe bodily injury, including death in extreme cases. All applications incorporating Lamb Electric motors should be submitted to appropriate organizations or agencies for testing specifically related to the safety of your equipment.

AMETEK/Lamb Electric Division
 627 Lake Street
 Kent, Ohio 44240
 U.S.A.
 Tel: (330) 673-3451
 Fax: (330) 673-8994

Ametek GmbH
 Weillimdorfer Str. 47
 D-70825 Korntal-Munchingen
 Germany
 Phone: + 49-711-838-7876
 Fax: + 49-711-838-7862

AMETEK/Singapore Private Limited
 10 Ang Mo Kio Street 65
 # 05-12 Techpoint
 Singapore 2056
 Tel: + 65-484-2388
 Fax: + 65-481-6588