

LAMB ELECTRIC

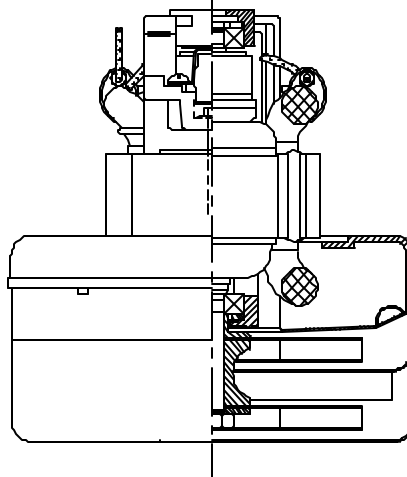
Model: 117363-00

DESCRIPTION

- Two stage
- 36 volts
- 5.7"/145 mm diameter
- Double ball bearings
- Single speed
- Thru-flow discharge
- Aluminum fan end bracket
- Aluminum commutator bracket

DESIGN APPLICATION

- Equipment operating in environments not requiring separation of working air from motor ventilating air
- Designed to handle clean, dry, filtered air only

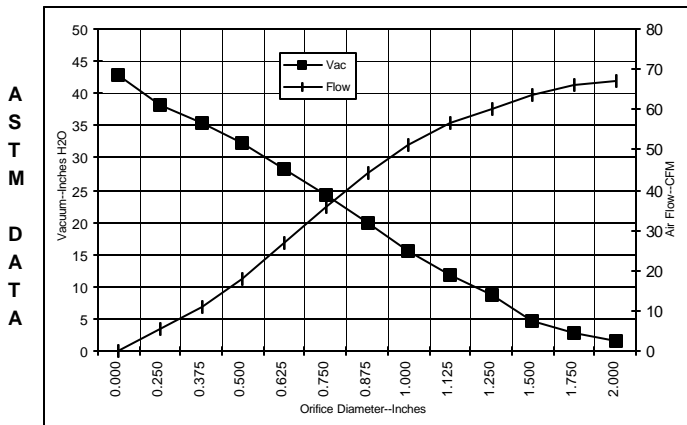


SPECIAL FEATURES

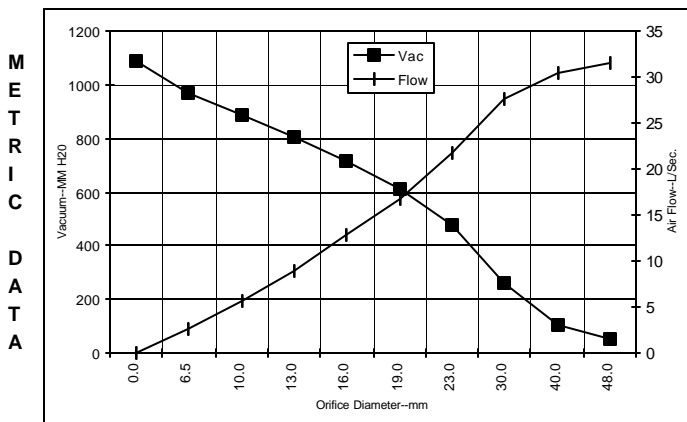
- Suitable for 36 volt DC operation
- UL recognized, category PRGY2 (E47185)
- Provision for grounding
- Skeleton-frame design
- The Lamb Electric vacuum motor line offers a wide range of performance levels to meet design needs

TYPICAL MOTOR PERFORMANCE.*

(At 36 volts DC, test data is corrected to standard conditions of 29.92 Hg, 68° F.)



Orifice (Inches)	Amps	Watts (In)	RPM	Vac (In.H ₂ O)	Flow (CFM)	Air Watts
2.000	10.0	373	15060	1.6	67.0	13
1.750	10.1	375	15025	2.7	66.3	21
1.500	10.2	376	14975	4.7	63.6	35
1.250	10.4	381	14885	8.6	60.2	61
1.125	10.5	384	14785	11.7	56.7	78
1.000	10.5	385	14740	15.5	51.4	94
0.875	10.5	382	14805	19.9	44.1	103
0.750	10.3	373	15000	24.1	35.6	101
0.625	9.8	354	15390	28.2	26.7	89
0.500	9.2	334	15955	32.2	18.1	68
0.375	8.6	310	16525	35.4	11.0	46
0.250	8.0	291	17145	38.2	5.4	24
0.000	7.7	278	17810	42.9	0.0	0



Orifice (mm)	Amps	Watts (In)	RPM	Vac (mm H ₂ O)	Flow (L/Sec)	Air Watts
48.0	10.0	374	15045	53	31.5	17
40.0	10.2	376	14990	104	30.4	31
30.0	10.4	383	14830	262	27.5	70
23.0	10.5	383	14789	478	21.7	101
19.0	10.3	373	15008	614	16.7	101
16.0	9.8	355	15374	712	12.8	89
13.0	9.3	336	15899	808	8.9	70
10.0	8.7	314	16440	887	5.7	49
6.5	8.0	292	17114	967	2.7	25
0.0	7.7	278	17810	1090	0.0	0

Note: Metric performance data is calculated from the ASTM data above.

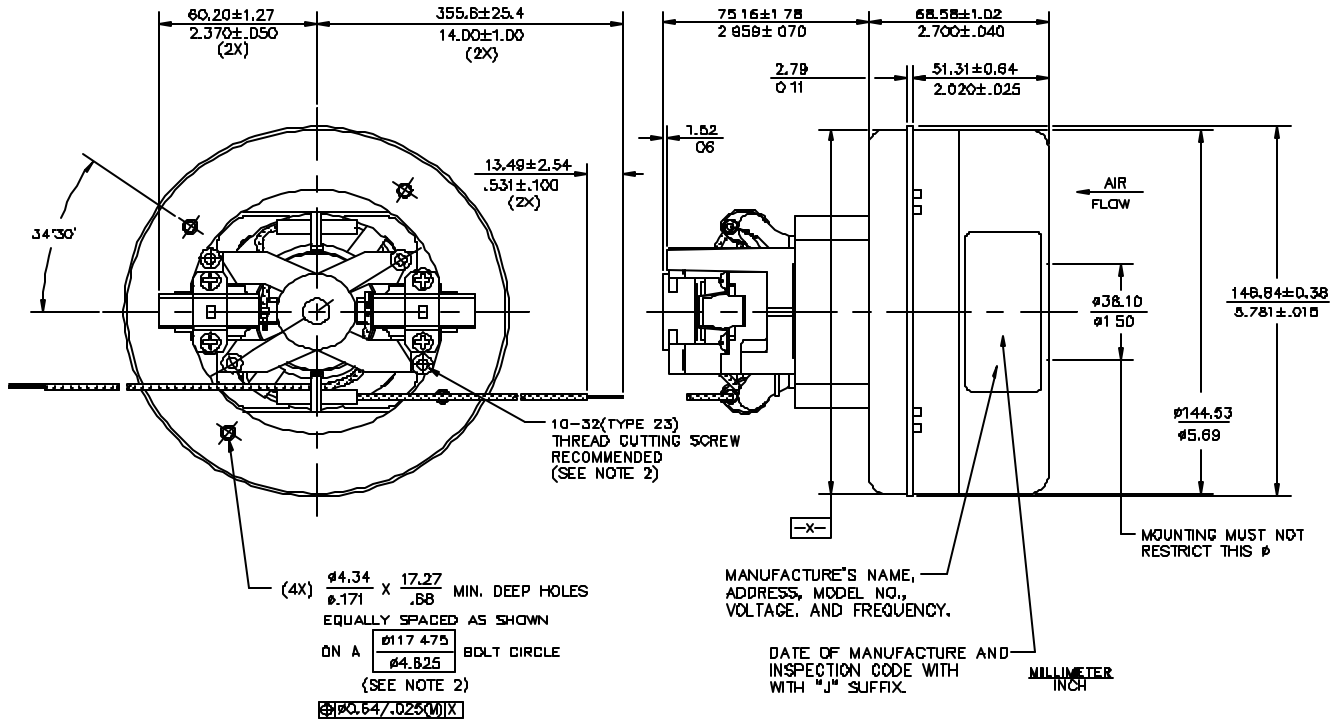
* Data represents performance of a typical motor sampled from a large production quantity. Individual motor data may vary due to normal manufacturing variati

Test Specs:	36 volts	Minimum Sealed Vacuum:	38.0"	ORIFICE:	7/8 "	Minimum Vacuum:	17.0"	Maximum Watts:	425
-------------	----------	------------------------	-------	----------	-------	-----------------	-------	----------------	-----

DIMENSIONS

NOTES

1. LEADS: 14GA STRANDED. LEADS CAN BE ANY COLOR EXCEPT GREEN OR GREEN WITH YELLOW STRIPE
2. GROUNDING OR EARTHING PROVISIONS: USE HOLES AS INDICATED FOR GROUNDING OR EARTHING. REFER TO APPROPRIATE LISTING OR REGULATORY AGENCY FOR PROPER METHOD OF GROUNDING OR EARTHING.



IMPORTANT NOTE: Pictorial and dimensional data are subject to change without notice. Contact factory for current revision levels.

WARNING - AMETEK Lamb Electric thru-flow vacuum motors must never be used in applications in which wet or moist conditions are involved, where dry chemicals or other volatile materials are present, or where airflow may be restricted or blocked. Such motors are designed to permit the vacuumed air to pass over the electrical winding to cool it. Thus any foam, liquid (including water), dry chemical, or other foreign substance coming in contact with electrical conductors could cause combustion (depending on volatility) or electrical shock. Failure to observe these precautions could result in property damage and severe personal injury, including death in extreme cases. All applications incorporating Lamb Electric motors should be submitted to Underwriters Laboratories Inc or other appropriate organizations or agencies for testing specifically related to the safety of your equipment.

AMETEK/Lamb Electric Division
627 Lake Street
Kent, Ohio 44240
U.S.A.
Tel: (330) 673-3451
Fax: (330) 673-8994

Ametek GmbH
Weilimdorfer Str. 47
D-70825 Korntal-Munchingen
Germany
Phone: + 49-711-838-7876
Fax: + 49-711-838-7862

AMETEK/Singapore Private Limited
10 Ang Mo Kio Street 65
05-12 Techpoint
Singapore 2056
Tel: + 65-484-2388
Fax: + 65-481-6588