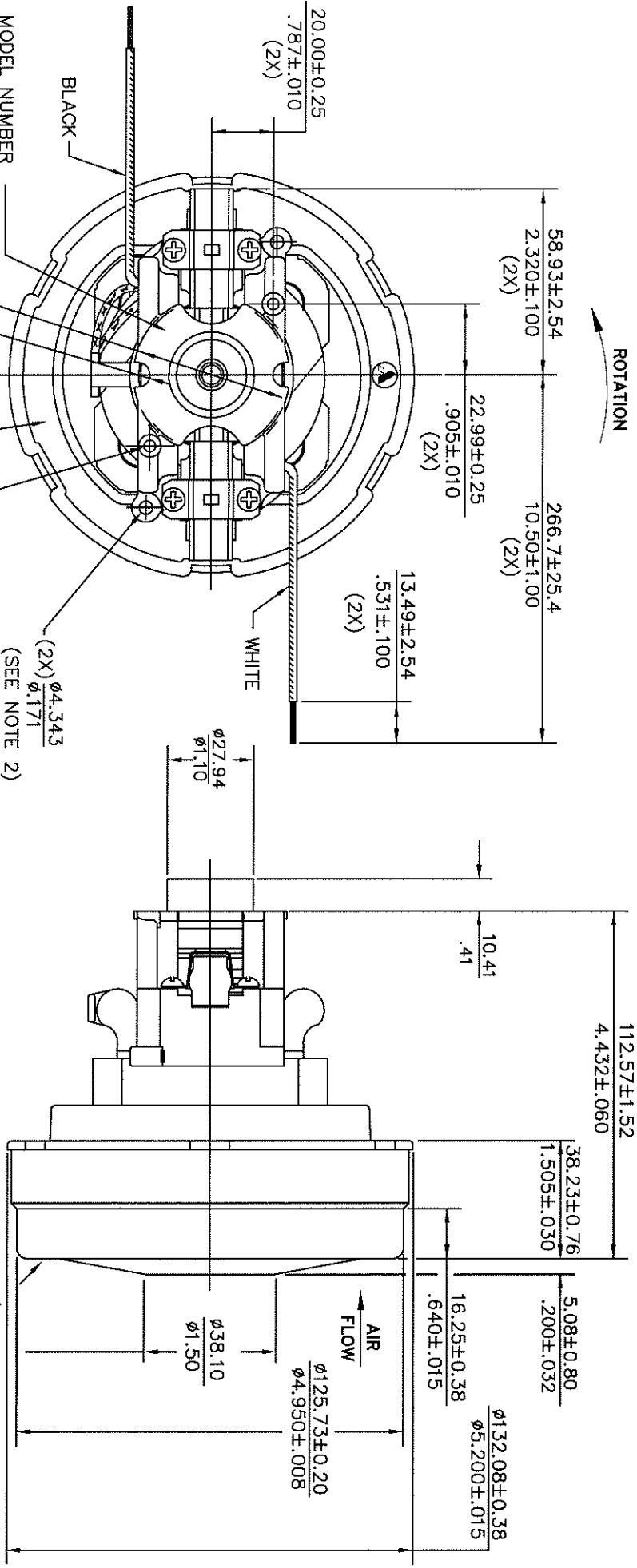


REVISIONS		DATE	APP'D.
REVISION NO.	CHANGE		

- NOTES:
- LEADS: 18GA STRANDED.
 - GROUNDING OR EARTHING PROVISIONS: USE HOLES AS INDICATED FOR GROUNDING OR EARTHING. REFER TO APPROPRIATE LISTING OR REGULATORY AGENCY FOR PROPER METHOD OF GROUNDING OR EARTHING.



DATE OF MANUFACTURE AND INSPECTION CODE WITH "F" SUFFIX

R4.013
R158
(2X)

Ø4.343
Ø1.171
(2X)
(SEE NOTE 2)

MANUFACTURER'S NAME,
VOLTAGE AND 60 HZ.

MILLIMETER
INCH

CONTROL CHARACTERISTICS: M101-M189-MANUOR		COMMERCIAL	
THIS INSTRUMENT AND THE SPECIFICATIONS ARE THE PROPERTY OF THE MANUFACTURER AND ARE LOANED TO THE USER FOR TESTING PURPOSES ONLY. IT IS TO BE RETURNED TO THE MANUFACTURER FOR OTHER USES AND WILL BE RETURNED UPON REQUEST.			
REVISIONS AND TOLERANCES SHALL BE AS SHOWN WITH THIS DRAWING.			
UNLESS OTHERWISE SPECIFIED			
FINISH	XX	TOLERANCES	ANGLES
STOCK	XXX	±0.01	±0.127
DRILL	F.02	±0.005	±0.254
THREAD	75511		
DATE	8-14-82	DATE	8-20-82
BY	M. FOX	BY	B. GOSWAMI
TITLE	OUTLINE, 120V	SHEET	3/4
AMETEK		LAMB ELECTRIC DIVISION	
KENT, OHIO 44240		117230-00-0	