

## LAMB ELECTRIC

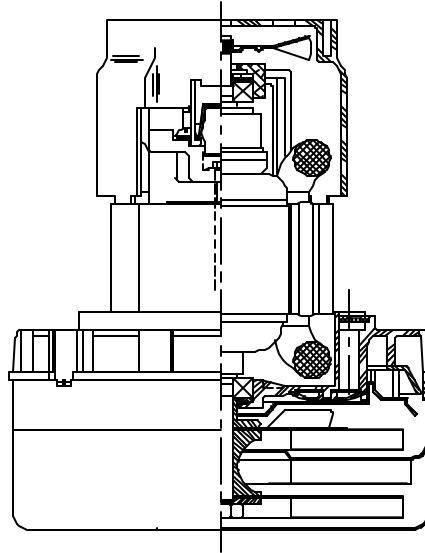
**Model: 116763-00**  
**116763-13\***

### DESCRIPTION

- Two stage
- 120 volts
- 5.7"/145 mm diameter
- Double ball bearings
- Single speed
- ACUSTEK® low-noise peripheral bypass discharge
- Thermoset plastic fan end bracket
- Aluminum commutator bracket

### DESIGN APPLICATION

- Equipment operating in environments requiring separation of working air from motor ventilating air
- Designed to handle clean air only



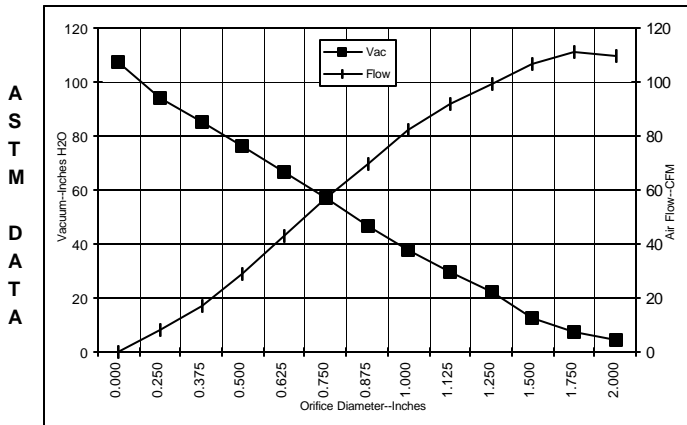
### SPECIAL FEATURES

- Suitable for 120 volt AC operation, 50/60 Hz
- UL recognized, category PRGY2 (E47185)
- CSA certified, class 1611 01 (LR31393)
- Provision for grounding
- Skeleton-frame design
- ACUSTEK® low-noise design, U.S. Patent #1,417,2000
- The Lamb Electric vacuum motor line offers a wide range of performance levels to meet design needs

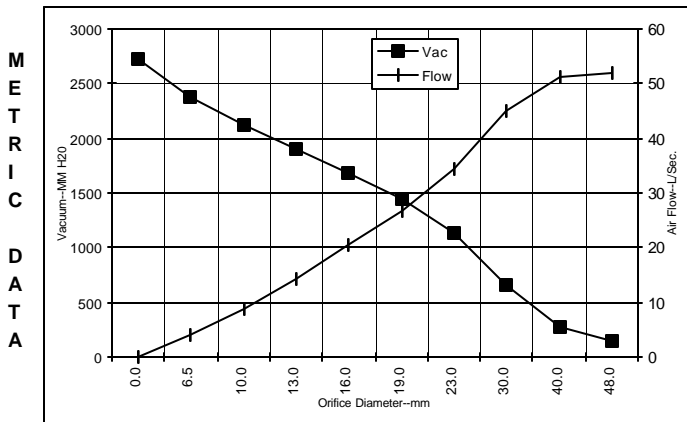
**\*Model 116763-13 features patented air seal bearing construction, U.S. Patent #4,088,424 and epoxy painted fan case**

### TYPICAL MOTOR PERFORMANCE.\*

(At 120 volts, 60Hz, test data is corrected to standard conditions of 29.92 Hg, 68° F.)



Orifice (Inches)	Amps	Watts (In)	RPM	Vac (In.H2O)	Flow (CFM)	Air Watts
2.000	11.0	1270	20590	4.2	110.0	55
1.750	11.1	1274	20490	7.4	111.0	97
1.500	11.2	1281	20420	12.7	107.0	159
1.250	11.3	1299	20340	22.4	99.0	259
1.125	11.3	1302	20390	29.4	92.0	316
1.000	11.3	1294	20450	37.8	82.0	365
0.875	11.0	1271	20640	47.0	70.0	387
0.750	10.8	1219	21110	57.0	57.0	379
0.625	10.0	1155	21780	67.0	43.0	336
0.500	9.2	1068	22620	76.1	29.0	260
0.375	8.3	974	23710	85.0	17.0	173
0.250	7.5	885	24850	94.0	8.0	89
0.000	7.0	834	26330	107.1	0.0	0



Orifice (mm)	Amps	Watts (In)	RPM	Vac (mm H2O)	Flow (L/Sec)	Air Watts
48.0	11.0	1272	20546	142	52.1	73
40.0	11.2	1279	20441	282	51.1	140
30.0	11.3	1301	20368	667	44.9	290
23.0	11.1	1277	20593	1135	34.5	382
19.0	10.8	1218	21123	1453	26.8	378
16.0	10.0	1158	21753	1692	20.6	338
13.0	9.3	1077	22536	1910	14.3	268
10.0	8.4	988	23547	2125	8.9	186
6.5	7.5	889	24793	2376	4.0	93
0.0	7.0	834	26330	2720	0.0	0

Note: Metric performance data is calculated from the ASTM data above.

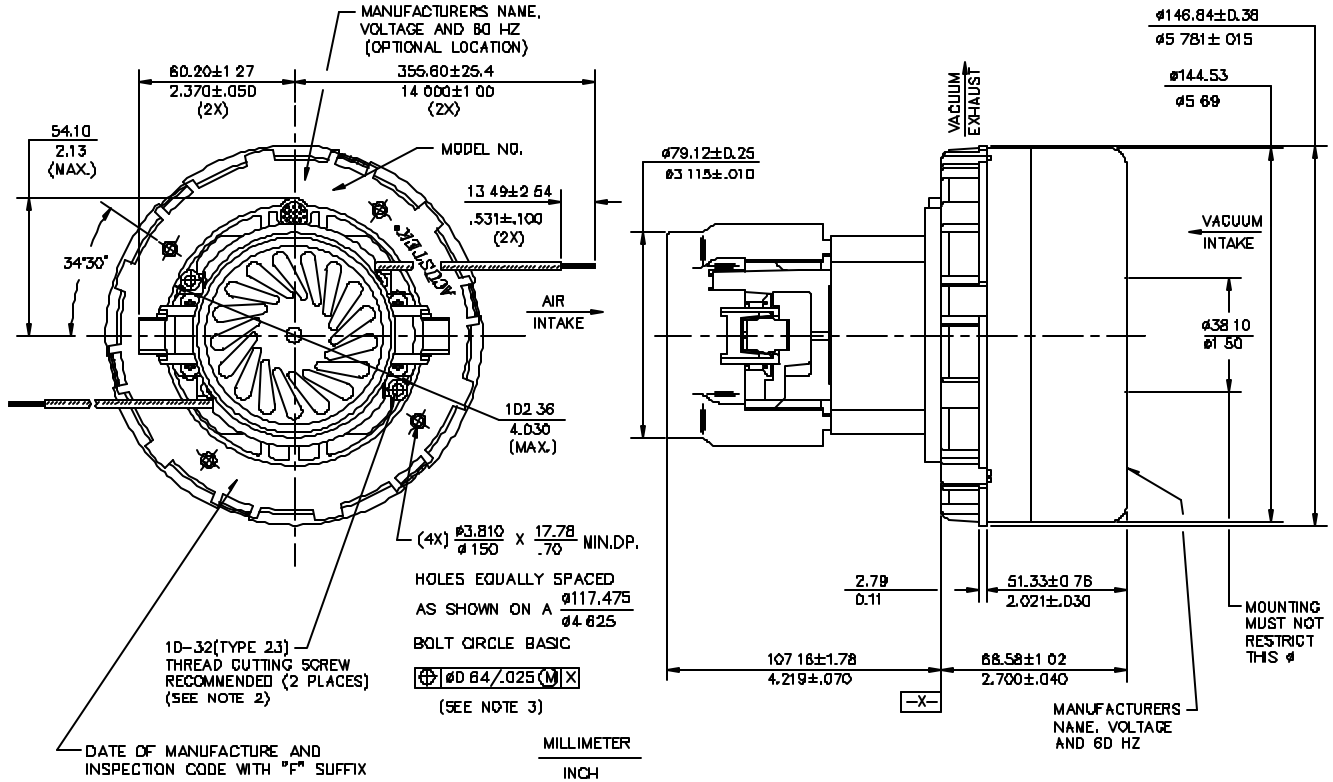
\* Data represents performance of a typical motor sampled from a large production quantity. Individual motor data may vary due to normal manufacturing variability.

Test Specs:	120 volts	Minimum Sealed Vacuum:	99.0"	ORIFICE:	7/8 "	Minimum Vacuum:	42.0"	Maximum Watts:	1550
-------------	-----------	------------------------	-------	----------	-------	-----------------	-------	----------------	------

**DIMENSIONS**

**NOTES**

1. LEADS: 18GA STRANDED, LEADS CAN BE ANY COLOR EXCEPT GREEN OR GREEN WITH YELLOW STRIPE
2. GROUNDING OR EARTHING PROVISIONS USE HOLES AS INDICATED FOR GROUNDING OR EARTHING REFER TO APPROPRIATE LISTING OR REGULATORY AGENCY FOR PROPER METHOD OF GROUNDING OR EARTHING
3. RECOMMENDED SCREW SIZE 10-18 TYPE BT OR 25 THREAD CUTTING SCREW. MAXIMUM PENETRATION 17 40/685



**IMPORTANT NOTE:** Pictorial and dimensional data are subject to change without notice. Contact factory for current revision levels.

**WARNING -** When using AMETEK Lamb Electric bypass motors in machines that come in contact with foam, liquid (including water), or other foreign substances, the machine must be designed and constructed to prevent those substances from reaching the fan system, motor housing, and electrical components. Lamb Electric vacuum motors other than hazardous duty models should not be applied in machines that come in contact with dry chemicals or other volatile materials. Failure to observe these precautions could cause flashing (depending on volatility) or electrical shock which could result in property damage and severe bodily injury, including death in extreme cases. All applications incorporating Lamb Electric motors should be submitted to appropriate organizations or agencies for testing specifically related to the safety of your equipment.

**AMETEK/Lamb Electric Division**  
 627 Lake Street  
 Kent, Ohio 44240  
 U.S.A.  
 Tel: (330) 673-3451  
 Fax: (330) 673-8994

**Ametek GmbH**  
 Weillimdorfer Str. 47  
 D-70825 Korntal-Munchingen  
 Germany  
 Phone: + 49-711-838-7876  
 Fax: + 49-711-838-7862

**AMETEK/Singapore Private Limited**  
 10 Ang Mo Kio Street 65  
 # 05-12 Techpoint  
 Singapore 2056  
 Tel: + 65-484-2388  
 Fax: + 65-481-6588