



AMETEK
LAMB ELECTRIC

Product Bulletin

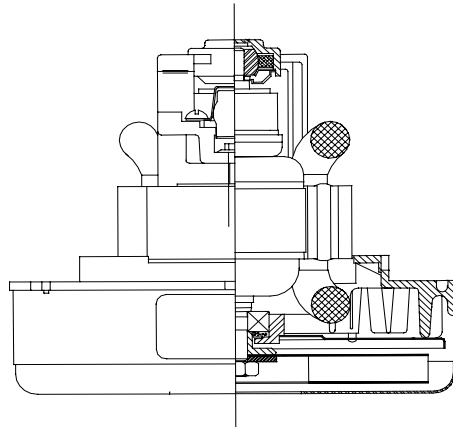
Model: 116662-49

DESCRIPTION

- Single stage
- 120 volts
- 5.7" / 145 mm diameter
- Double Ball bearings
- Single speed
- Thru-Flow discharge
- Thermoset fan end bracket
- Aluminum commutator bracket

DESIGN APPLICATION

- Equipment operating in environments not requiring separation of working air from motor ventilating air
- Designed to handle clean, dry, filtered air only

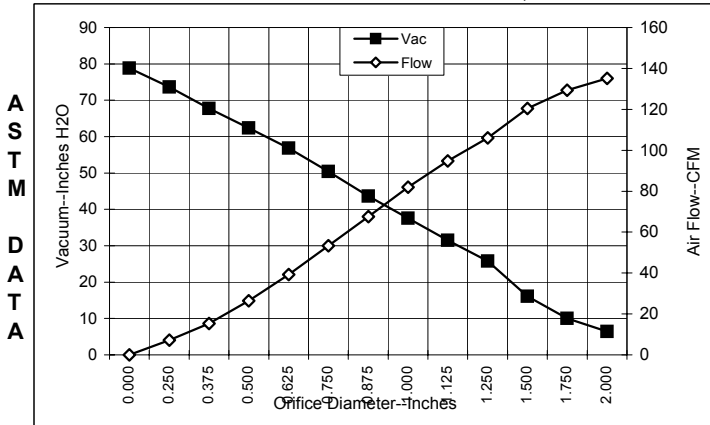


SPECIAL FEATURES

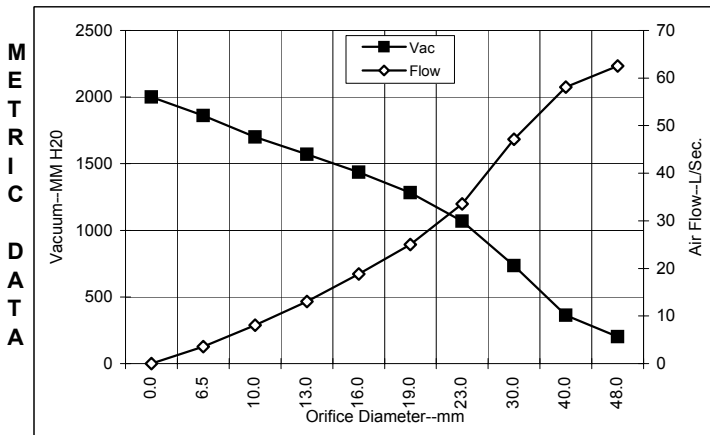
- Suitable for 120 volt AC operation, 50/60 Hz
- UL recognized, category PRGY2 (E47185)
- CSA certified, class 1611 01 (LR31393)
- Provision for grounding
- Skeleton frame design
- High air flow fan system
- Thermostat (auto reset)
- The Lamb vacuum motor line offers a wide range of performance levels to meet design needs

TYPICAL MOTOR PERFORMANCE.*

(At 120 volts, 60Hz, test data is corrected to standard conditions of 29.92 Hg, 68° F.)



| Orifice (Inches) | Amps | Watts (In) | RPM | Vac (In.H ₂ O) | Flow (CFM) | Air Watts |
|------------------|------|------------|-------|---------------------------|------------|-----------|
| 2.000 | 9.2 | 1100 | 23330 | 6.4 | 135.1 | 102 |
| 1.750 | 9.2 | 1095 | 23370 | 10.0 | 129.3 | 152 |
| 1.500 | 9.1 | 1058 | 23500 | 16.1 | 120.5 | 228 |
| 1.250 | 8.9 | 1034 | 23860 | 25.8 | 106.0 | 321 |
| 1.125 | 8.6 | 998 | 24200 | 31.5 | 94.8 | 351 |
| 1.000 | 8.3 | 953 | 24680 | 37.6 | 81.9 | 362 |
| 0.875 | 7.9 | 899 | 25130 | 43.6 | 67.5 | 346 |
| 0.750 | 7.5 | 840 | 26010 | 50.4 | 53.3 | 315 |
| 0.625 | 7.0 | 779 | 27070 | 56.8 | 39.3 | 262 |
| 0.500 | 6.4 | 721 | 28210 | 62.4 | 26.4 | 193 |
| 0.375 | 5.9 | 678 | 29500 | 67.7 | 15.4 | 122 |
| 0.250 | 5.6 | 644 | 30830 | 73.6 | 7.2 | 62 |
| 0.000 | 5.3 | 656 | 31660 | 78.8 | 0.0 | 0 |



| Orifice (mm) | Amps | Watts (In) | RPM | Vac (mm H ₂ O) | Flow (L/Sec) | Air Watts |
|--------------|------|------------|-------|---------------------------|--------------|-----------|
| 48.0 | 9.2 | 1098 | 23348 | 203 | 62.6 | 124 |
| 40.0 | 9.1 | 1069 | 23461 | 362 | 58.1 | 205 |
| 30.0 | 8.7 | 1014 | 24047 | 735 | 47.1 | 338 |
| 23.0 | 8.0 | 913 | 25018 | 1069 | 33.6 | 350 |
| 19.0 | 7.5 | 839 | 26031 | 1283 | 25.0 | 314 |
| 16.0 | 7.0 | 781 | 27028 | 1436 | 18.8 | 264 |
| 13.0 | 6.5 | 727 | 28096 | 1571 | 13.1 | 200 |
| 10.0 | 6.0 | 684 | 29307 | 1699 | 8.0 | 133 |
| 6.5 | 5.6 | 646 | 30764 | 1862 | 3.6 | 65 |
| 0.0 | 5.3 | 656 | 31660 | 2002 | 0.0 | 0 |

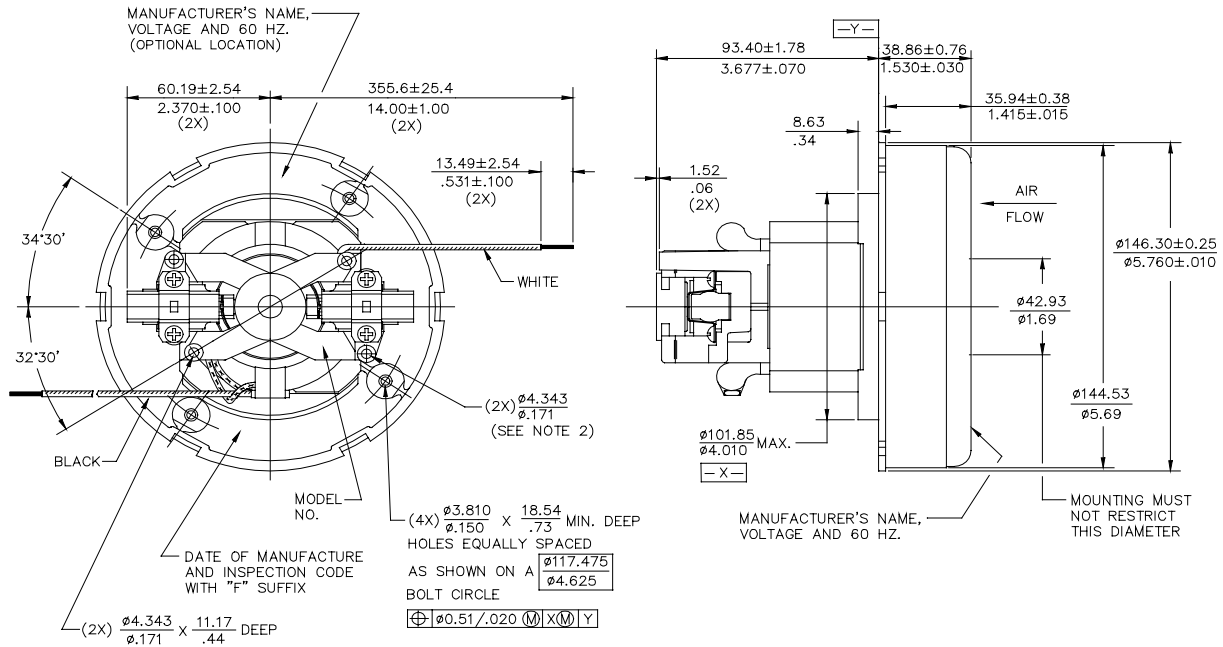
Note: Metric performance data is calculated from the ASTM data above.

* Data represents performance of a typical motor sampled from a large production quantity. Individual motor data may vary to normal manufacturing variations.

| | | | | |
|------------------|----------------------------|---------------|-----------------------|---------------------|
| Test Specs: 120v | Minimum Sealed Vacuum: TBD | ORIFICE: 7/8" | Minimum Vacuum: 35.0" | Maximum Watts: 1170 |
|------------------|----------------------------|---------------|-----------------------|---------------------|

DIMENSIONS

- NOTES:
 1. LEADS: 18GA STRANDED.
 2. GROUNDING OR EARTHING PROVISIONS: USE HOLES AS INDICATED FOR GROUNDING OR EARTHING.
 REFER TO APPROPRIATE LISTING OR REGULATORY AGENCY FOR PROPER METHOD OF GROUNDING OR EARTHING.



IMPORTANT NOTE: Pictorial and dimensional data are subject to change without notice. Contact factory for current revision levels.

WARNING - Ametek/Lamb Electric thru-flow vacuum motors must never be used in applications in which wet or moist conditions are involved, where dry chemicals or other volatile materials are present or where airflow may be restricted or blocked. Such motors are designed to permit the vacuumed air to pass over the electrical winding to cool it. Thus any foam, liquid (including water), dry chemical or other foreign substance will come in contact with electrical conductors which could cause combustion (depending on volatility) or electrical shock. Failure to observe these precautions could result in property damage and severe personal injury, including death in extreme cases. All applications incorporating Lamb motors should be submitted to Underwriters Laboratories Inc. or other appropriate organizations or agencies for testing specifically related to the safety of your equipment.

AMETEK/Lamb Electric Division
 627 Lake Street
 Kent, Ohio 44240
 U.S.A.
 Tel: (330) 673-3451
 Fax: (330) 673-8994

Ametek GmbH
 P. O. Box 1251
 D-71667 Marbach
 Germany
 Phone: + 49-714-484-9512
 Fax: + 49-714-484-9513

AMETEK/Singapore Private Limited
 10 Ang Mo Kio Street 65
 # 05-12 Techpoint
 Singapore 2056
 Tel: + 65-484-2388
 Fax: + 65-481-6588