

LAMB ELECTRIC

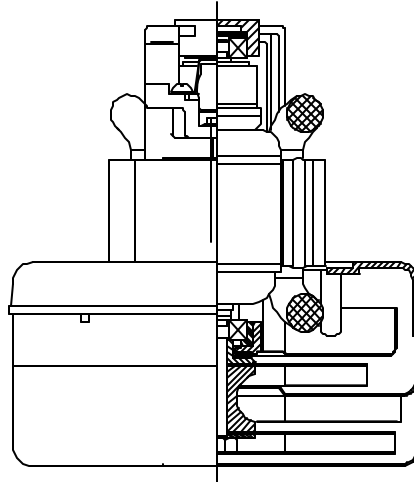
Model: 116432-00

DESCRIPTION

- Two stage
- 120 volts
- 5.7"/145 mm diameter
- Double ball bearings
- Single speed
- Thru-flow discharge
- Aluminum fan end bracket
- Aluminum commutator bracket

DESIGN APPLICATION

- Equipment operating in environments not requiring separation of working air from motor ventilating air
- Designed to handle clean, dry, filtered air only

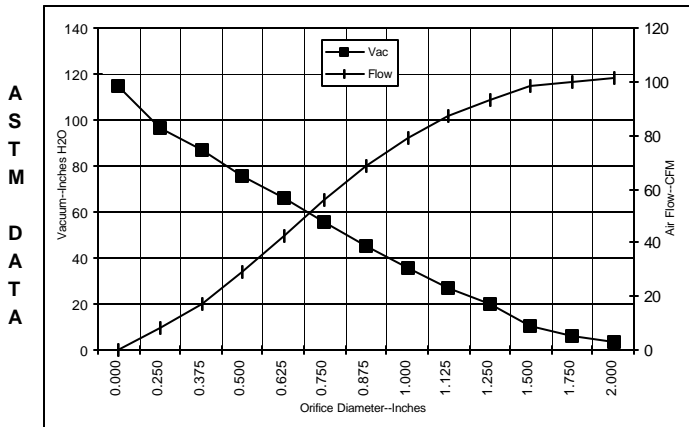


SPECIAL FEATURES

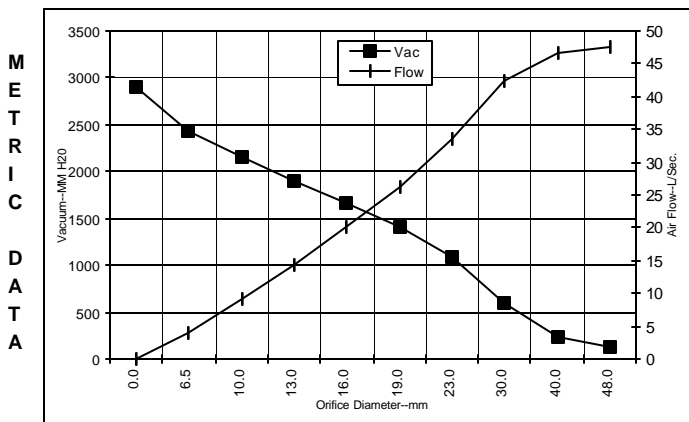
- Suitable for 120 AC volt operation, 50/60 Hz
- UL recognized, category PRGY2 (E47185)
- CSA certified, class 1611 01 (LR31393)
- Provision for grounding
- Skeleton-frame design
- The Lamb Electric vacuum motor line offers a wide range of performance levels to meet design needs

TYPICAL MOTOR PERFORMANCE.*

(At 120 volts, 60Hz, test data is corrected to standard conditions of 29.92 Hg, 68° F.)



Orifice (Inches)	Amps	Watts (In)	RPM	Vac (In.H ₂ O)	Flow (CFM)	Air Watts
2.000	10.5	1252	21890	3.6	101.3	42
1.750	10.5	1254	21876	6.0	100.1	70
1.500	10.5	1259	21793	10.8	98.7	125
1.250	10.6	1267	21709	19.9	93.0	216
1.125	10.6	1264	21737	26.8	87.5	275
1.000	10.5	1251	21850	35.3	79.3	328
0.875	10.2	1220	22127	45.2	68.7	364
0.750	9.8	1167	22642	55.6	56.0	365
0.625	9.2	1093	23427	65.9	42.3	327
0.500	8.5	1008	24397	76.0	29.1	259
0.375	7.6	914	25789	86.6	17.5	177
0.250	6.8	819	27384	96.6	8.2	93
0.000	6.2	748	28870	114.4	0.0	0



Orifice (mm)	Amps	Watts (In)	RPM	Vac (mm H ₂ O)	Flow (L/Sec)	Air Watts
48.0	10.5	1253	21884	118	47.6	54
40.0	10.5	1258	21818	238	46.8	109
30.0	10.6	1265	21724	602	42.5	248
23.0	10.3	1228	22058	1085	33.7	355
19.0	9.8	1166	22658	1417	26.3	364
16.0	9.2	1096	23396	1663	20.2	329
13.0	8.6	1017	24300	1905	14.4	266
10.0	7.7	928	25580	2159	9.1	189
6.5	6.8	824	27304	2441	4.1	97
0.0	6.2	748	28870	2906	0.0	0

Note: Metric performance data is calculated from the ASTM data above.

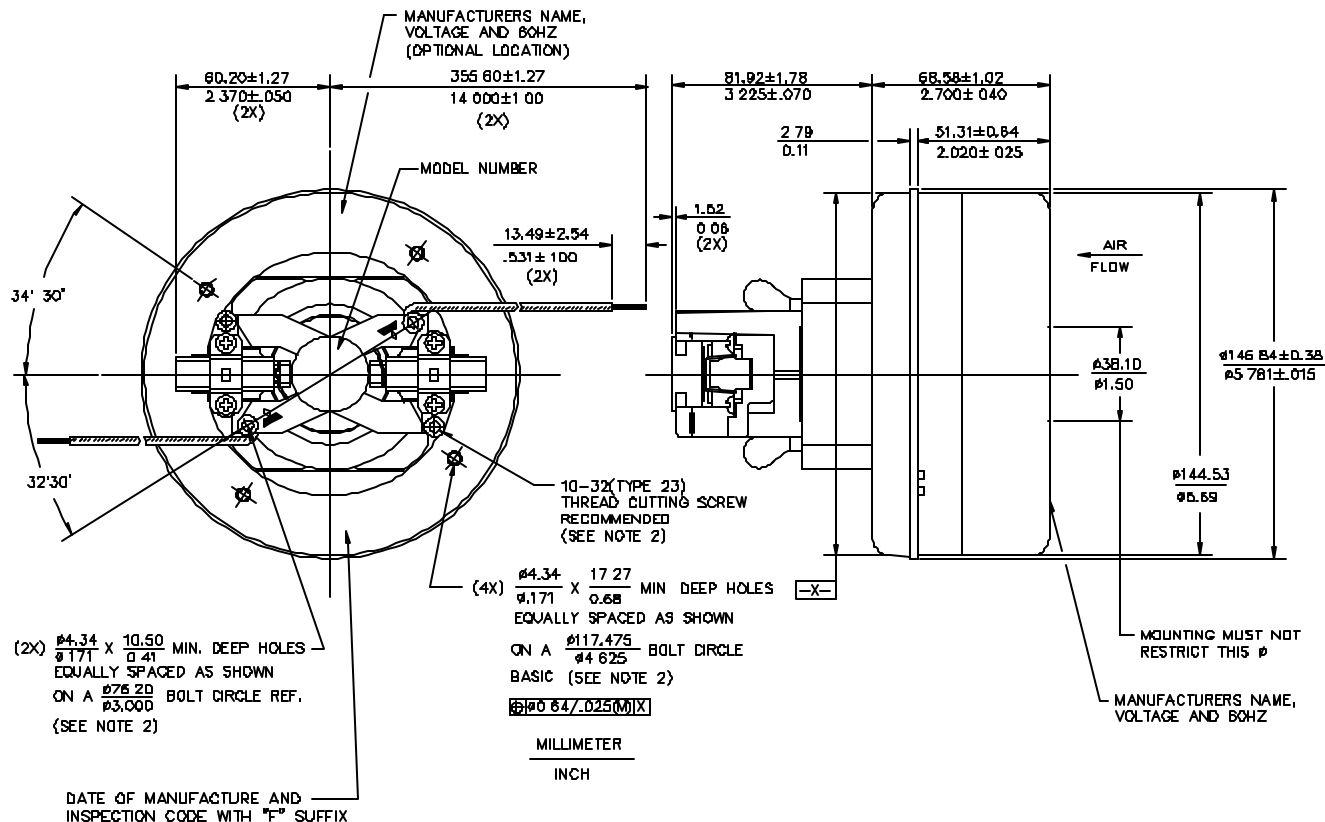
* Data represents performance of a typical motor sampled from a large production quantity. Individual motor data may vary due to normal manufacturing variability.

Test Specs:	120 volts	Minimum Sealed Vacuum:	100.0"	ORIFICE:	7/8 "	Minimum Vacuum:	40.0"	Maximum Watts:	1340
-------------	-----------	------------------------	--------	----------	-------	-----------------	-------	----------------	------

DIMENSIONS

NOTES:

- 1. LEADS 18GA STRANDED, LEADS CAN BE ANY COLOR EXCEPT GREEN OR GREEN WITH YELLOW STRIPE
- 2. GROUNDING OR EARTHING PROVISIONS: USE HOLES AS INDICATED FOR GROUNDING OR EARTHING. REFER TO APPROPRIATE LISTING OR REGULATORY AGENCY FOR PROPER METHOD OF GROUNDING OR EARTHING.



IMPORTANT NOTE: Pictorial and dimensional data are subject to change without notice. Contact factory for current revision levels.

WARNING - AMETEK Lamb Electric thru-flow vacuum motors must never be used in applications in which wet or moist conditions are involved, where dry chemicals or other volatile materials are present, or where airflow may be restricted or blocked. Such motors are designed to permit the vacuumed air to pass over the electrical winding to cool it. Thus any foam, liquid (including water), dry chemical, or other foreign substance coming in contact with electrical conductors could cause combustion (depending on volatility) or electrical shock. Failure to observe these precautions could result in property damage and severe personal injury, including death in extreme cases. All applications incorporating Lamb Electric motors should be submitted to Underwriters Laboratories Inc or other appropriate organizations or agencies for testing specifically related to the safety of your equipment.

AMETEK/Lamb Electric Division
 627 Lake Street
 Kent, Ohio 44240
 U.S.A.
 Tel: (330) 673-3451
 Fax: (330) 673-8994

Ametek GmbH
 Weillimdorfer Str. 47
 D-70825 Korntal-Munchingen
 Germany
 Phone: + 49-711-838-7876
 Fax: + 49-711-838-7862

AMETEK/Singapore Private Limited
 10 Ang Mo Kio Street 65
 # 05-12 Techpoint
 Singapore 2056
 Tel: + 65-484-2388
 Fax: + 65-481-6588