

## LAMB ELECTRIC

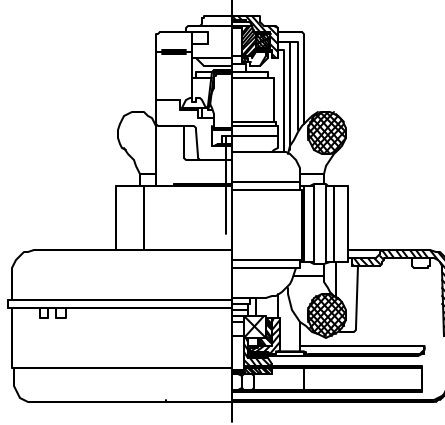
**Model: 116310-00**

### DESCRIPTION

- One stage
- 240 volts
- 5.7"/145 mm diameter
- Ball /sleeve bearings
- Single speed
- Thru-flow discharge
- Aluminum fan end bracket
- Aluminum commutator bracket

### DESIGN APPLICATION

- Equipment operating in environments not requiring separation of working air from motor ventilating air
- Designed to handle clean, dry, filtered air only

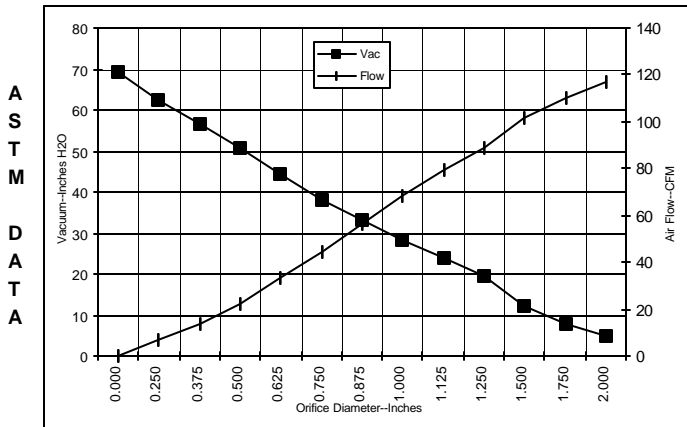


### SPECIAL FEATURES

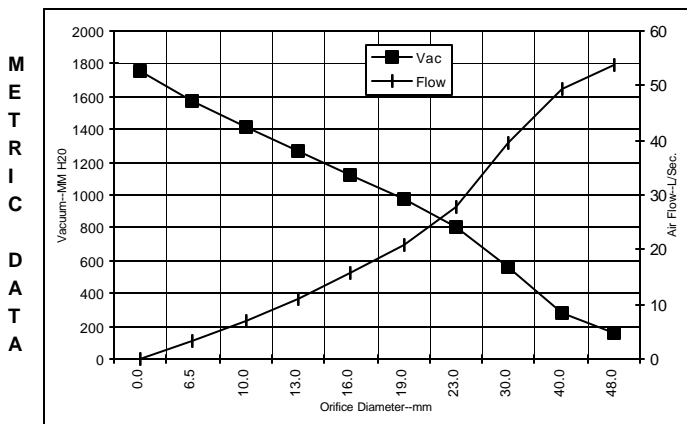
- Suitable for 240 volt AC operation, 50/60 Hz
- UL recognized, category PRGY2 (E47185)
- Provision for grounding
- Skeleton-frame design
- The Lamb Electric vacuum motor line offers a wide range of performance levels to meet design needs

### TYPICAL MOTOR PERFORMANCE.\*

(At 240 volts, 60Hz, test data is corrected to standard conditions of 29.92 Hg, 68° F.)



Orifice (Inches)	Amps	Watts (In)	RPM	Vac (In.H2O)	Flow (CFM)	Air Watts
2.000	4.2	963	22042	5.1	117.0	69
1.750	4.2	975	21936	7.7	110.5	101
1.500	4.2	9885	21639	12.4	101.7	149
1.250	4.2	985	21639	19.6	88.9	205
1.125	4.0	957	21946	23.9	79.4	223
1.000	3.9	937	22275	28.1	68.0	225
0.875	3.7	900	22794	33.1	56.3	219
0.750	3.6	857	23494	38.2	44.4	200
0.625	3.4	801	24394	44.3	33.1	172
0.500	3.1	749	25465	50.6	22.5	134
0.375	2.8	695	26895	56.8	13.6	91
0.250	2.6	646	28082	62.4	6.7	49
0.000	2.5	614	28824	69.3	0.0	0



Orifice (mm)	Amps	Watts (In)	RPM	Vac (mm H2O)	Flow (L/Sec)	Air Watts
48.0	4.2	968	21995	158	53.9	83
40.0	4.2	7212	21728	279	49.2	135
30.0	4.1	970	21808	558	39.5	215
23.0	3.8	909	22664	809	28.0	221
19.0	3.6	856	23512	973	20.9	199
16.0	3.4	803	24358	1119	15.8	173
13.0	3.1	754	25358	1269	11.1	138
10.0	2.9	703	26681	1419	7.0	97
6.5	2.6	648	28023	1578	3.3	51
0.0	2.5	614	28824	1760	0.0	0

Note: Metric performance data is calculated from the ASTM data above.

\* Data represents performance of a typical motor sampled from a large production quantity. Individual motor data may vary due to normal manufacturing variati

Test Specs:	240 volts	Minimum Sealed Vacuum:	63.0"	ORIFICE:	7/8 "	Minimum Vacuum:	29.0"	Maximum Watts:	1010
-------------	-----------	------------------------	-------	----------	-------	-----------------	-------	----------------	------

