

AMETEK

LAMB®
VACUUM
MOTORS,
BLOWERS
MODEL 115862

technical bulletin

(TEMPORARY)
2-VB722-5862

DESCRIPTION

Two Stage, Single Speed, Bypass, 120 Volt

TYPICAL MOTOR PERFORMANCE*

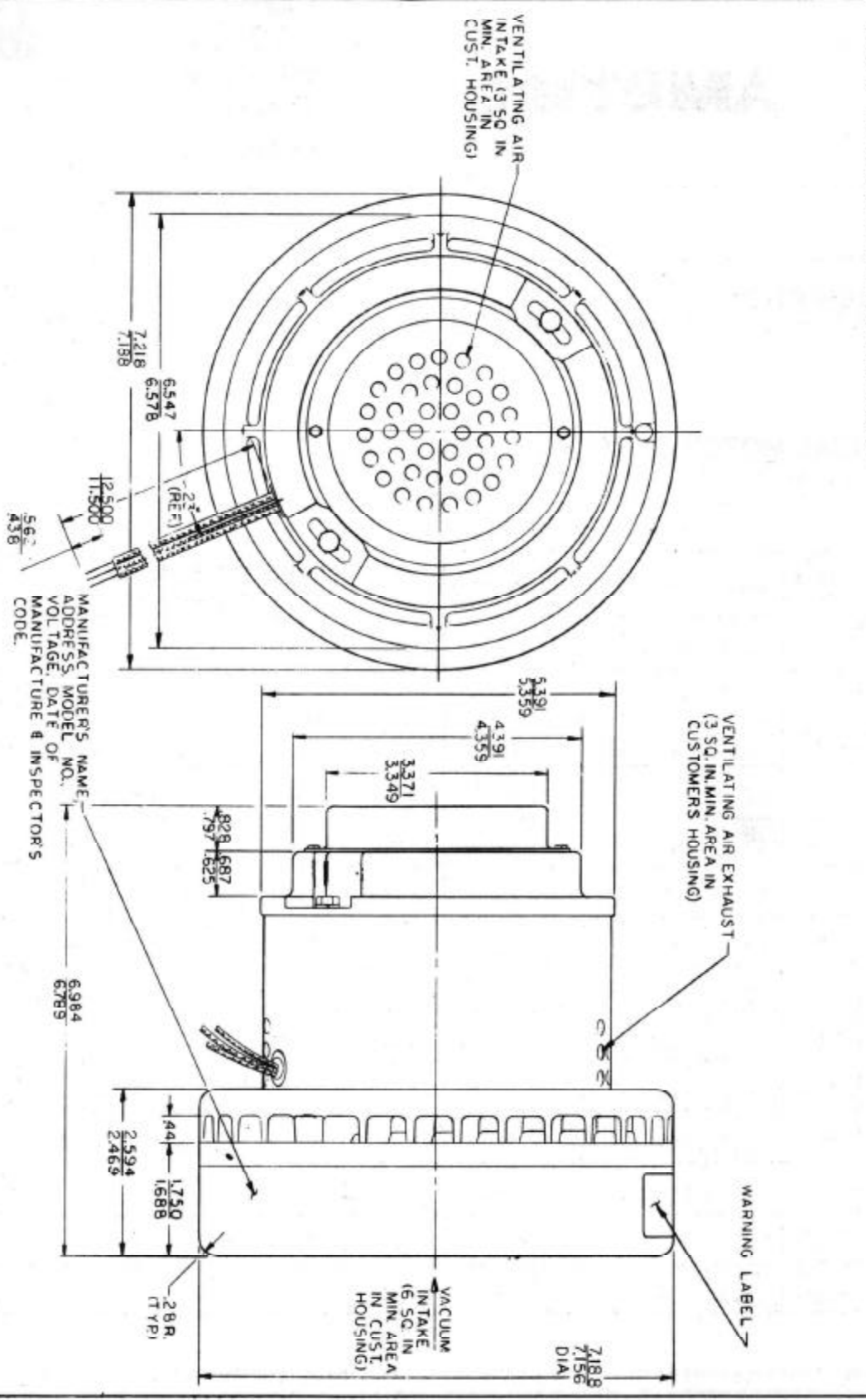
At 120 volts, 60 Hz, test data corrected to standard conditions of 29.92" Hg. and 68°F.

ORIFICE DIA.	AMPS.	WATTS	CORR. WATTS		R. P. M.	VACUUM-IN. WATER		VOLUME C. F. M.	AIR WATTS	OVERALL EFF.-%
			for motor less	to std. density		as Read	Corr.			
2"	12.8	1435		1461	16450	4.6	4.8	116.4	65.1	4.5
1-3/4	12.8	1440		1466	16375	7.6	7.9	114.5	105.8	7.2
1-1/2	12.8	1440		1466	16375	12.8	13.2	109.2	170.0	11.5
1-1/4	12.8	1420		1445	16300	21.9	22.6	99.2	264.2	18.2
1-1/8	13.0	1420		1445	16500	28.6	29.5	91.8	319.4	22.0
1	12.6	1405		1430	16400	37.0	38.2	82.5	371.3	25.9
3/8	12.3	1370		1394	16600	46.5	48.0	70.8	400.6	28.7
3/4	12.0	1335		1358	17000	56.9	58.8	57.5	398.4	29.3
5/8	11.3	1265		1286	17550	67.5	69.7	43.5	357.4	27.7
1/2	10.8	1205		1225	18300	77.3	79.8	29.8	280.3	22.8
3/8	9.7	1090		1107	19100	85.3	88.1	17.6	182.8	16.5
1/4	9.1	1025		1040	19950	93.1	96.2	8.1	92.6	8.9
Sealed Hot*	8.5	970		984	20600	101.6	105.0			
Sealed Cold**	8.5	980		994	20625	102.7	106.1			

*The performance data specified represents a typical or average motor. If data is required to establish acceptance specifications, contact the factory.

WARNING—When using AMETEK, Inc., Lamb Electric bypass vacuum motors in machines that come in contact with foam, liquid (including water) or other foreign substances, the machine must be designed and constructed to prevent those substances from reaching the fan system, motor housing and electrical components. Lamb vacuum motors other than hazardous duty models should not be applied in machines that come in contact with dry chemicals or other volatile materials. Failure to observe these precautions could cause flashing (depending on volatility) or electrical shock which could result in property damage and severe bodily injury, including death in extreme cases. All applications incorporating Lamb motors should be submitted to Underwriters Laboratories, Inc. or other appropriate organizations or agencies for testing specifically related to the safety of your equipment.

NOTE 5:
 1 LEADS - #16 GA. ONE BLACK, ONE WHITE
 GROUND #18 GA. GREEN WITH YELLOW STRIPE.



MODEL 115862

REV	DESCRIPTION	DATE	BY
A	REVISED DIMENSIONS TO MATCH 115862 REV. SPEC. DWG. 11-17-78	11-17-78	CEL



LAMB ELECTRIC DIVISION • 627 LAKE STREET, KENT, OHIO 44240
 TELEPHONE: (216) 673-3451 TELEX: 986497 CABLE: LAMETEK