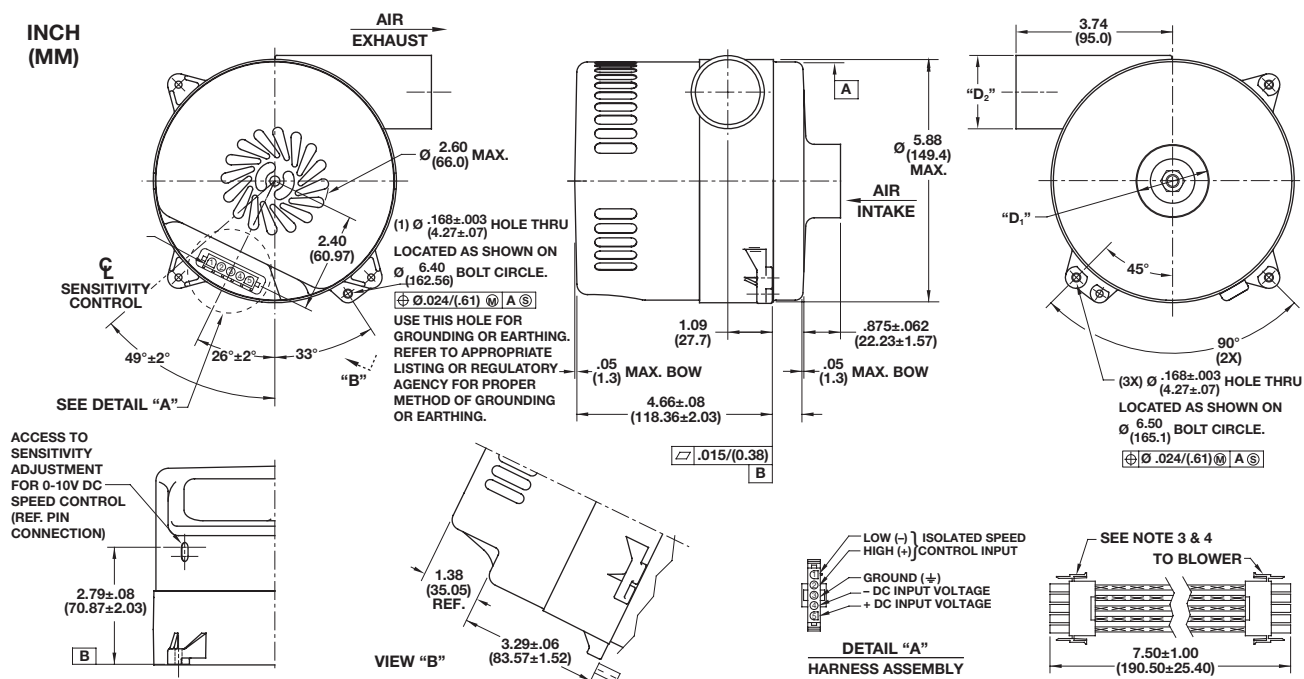


# 5.7" (145mm) BLDC Bypass Blower

## 48 VDC Input, High Flow System



Blower Data	Unit of Measure	Part Number		
Electrical Speed Control		150414 E	150415 E	150416 E
Mechanical Speed Control		150444 M	150445 M	150446 M
Fan System		High Airflow	High Airflow	Ultra High Flow
Stages		1	2	1
Input Voltage Range	Volts DC	36 - 60	36 - 60	36 - 60
Pressure, Maximum (Sealed Pressure) at 48 VDC	In. H <sub>2</sub> O, sealed	29.5	51.5	21.1
	mbar	73.1	127.7	52.5
Airflow, Maximum (CFM) at 48 VDC	CFM	115.7	91.3	160.3
	m <sup>3</sup> /hr	196.6	155.1	272.4
Diameter Inlet (Dimension "D1" above)	Inches	1.75	1.75	2.75
	mm	44.45	44.45	68.85
Diameter Outlet (Dimension "D2" above)	Inches	1.75	1.75	2.5
	mm	44.45	44.45	63.5
Length (Dimension "L" above)	Inches	0.47	1.53	0.71
	mm	11.94	38.86	18.03

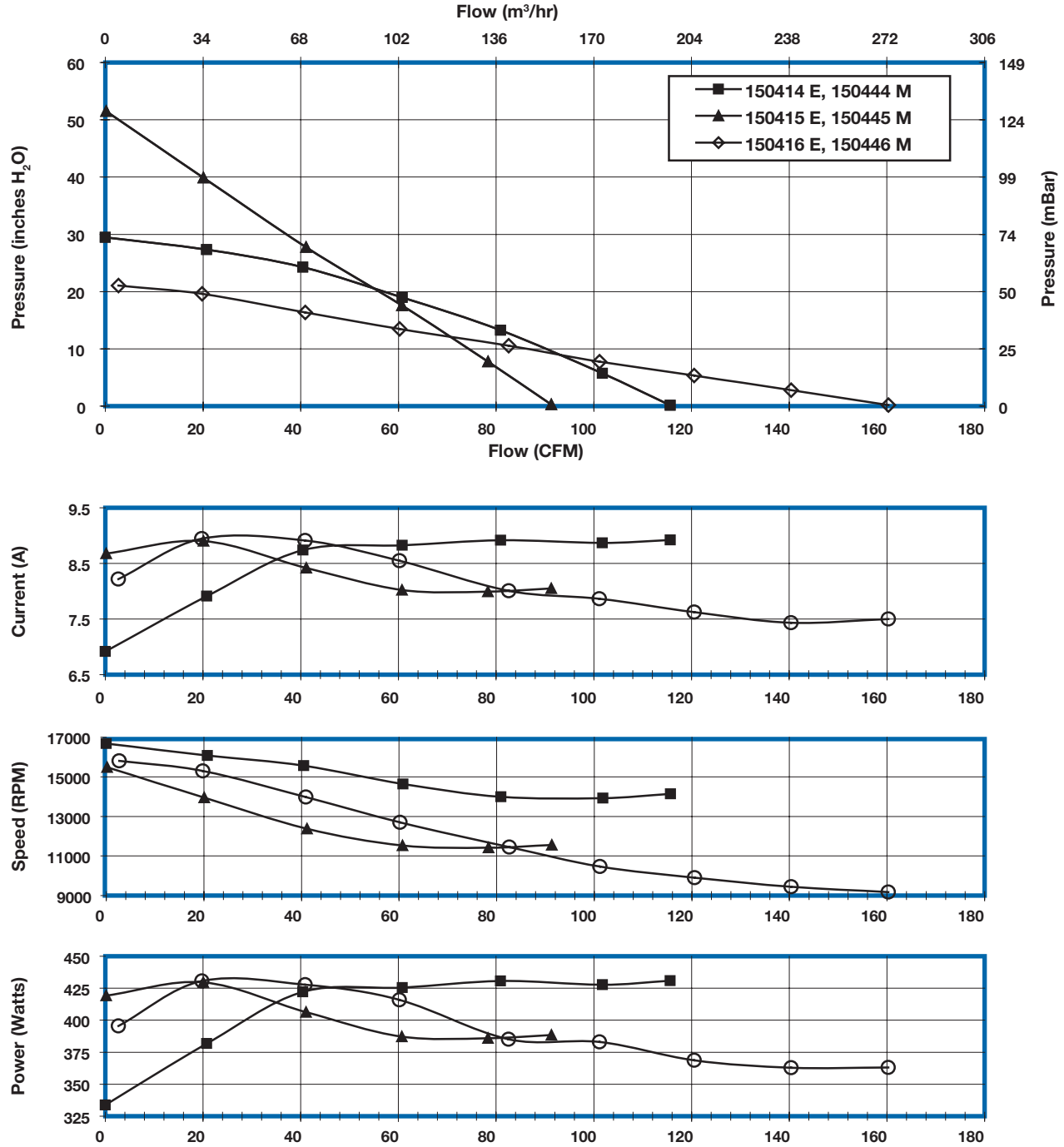
**NOTES:**

- Amp Mate-n-Lok connector (PN 350810-1) using Amp sockets (PN 350536-1) mates with customer supplied Amp Mate-n-Lok connector housing (PN 350809-1), using Amp (PN 350561-1) pin terminals.
- **Temperature:** Vent Inlet Air: 0°C to 50°C.
- **Isolated Speed Control:**  
Analog Input Voltage Range: 2.2 to +10 VDC nominal, (+15 VDC maximum).  
Digital Pulse Input: 400 Hz to 20 KHz, 1 to +10 Volt pulse nominal, minimum duty cycle 10%, 0 to +12 Volt maximum.  
Note: Setting of potentiometer can affect control voltage range and maximum speed can be reached before reaching 10 VDC.
- **Speed Control Input Current:** Less than 20 mA at 10 Volts input with multi turn internal potentiometer set to minimum (fully counter-clockwise).
- **Speed Control Drift with Temperature:**  
Analog Mode: Typ. ±4% from nominal speed at +23°C.  
Digital or Direct Mode: Typ. ±4% from nominal speed at +23°C.
- **Operating Temperature:** 0°C to 50°C.
- **Storage Temperature:** -40°C to 85°C.
- **Dielectric Testing:** 500 VDC applied for one second between input leads/wires and ground, 3mA leakage max.
- Air performance data is at 48 volts DC input. Contact AMETEK for information concerning air performance at other than 48 volts DC.
- **Approximate Weight:** 6 lbs.

# 5.7" (145mm) BLDC Bypass Blower

## 48 VDC Input, High Flow System

### TYPICAL PERFORMANCE



**LOW-VOLTAGE  
BLDC BLOWERS**

*This document is for informational purposes only and should not be considered as a binding description of the products or their performance in all applications. The performance data on this page depicts typical performance under controlled laboratory conditions using AMETEK BLDC motor controllers. Actual performance will vary depending on the operating environment and application. AMETEK products are not designed for and should not be used in medical life support applications. AMETEK reserves the right to revise its products without notification. The above characteristics represent standard products. For product designed to meet specific applications, contact AMETEK Technical & Industrial Products Marketing and Sales.*

**AMETEK TECHNICAL & INDUSTRIAL PRODUCTS**

627 Lake Street, Kent OH 44240

Tel: +1 330-673-3452 • Fax: +1 330-677-3306 • [www.ametektip.com](http://www.ametektip.com)