



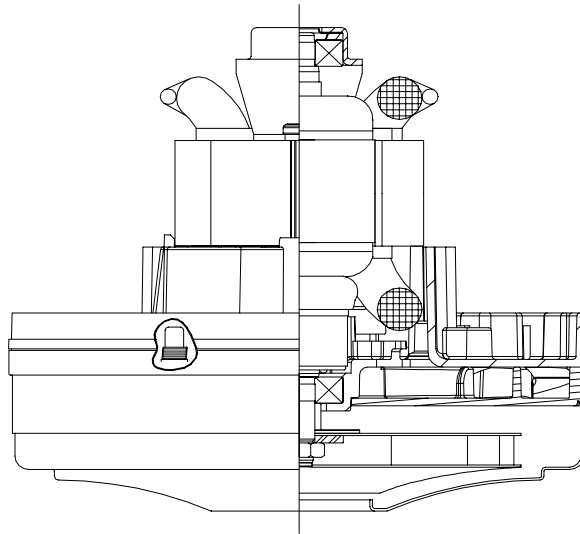
Advantek II - Plus

SPECIAL FEATURES

- Suitable for 120 volt AC operation, 60 Hz
- UL recognized, category PRGY2 (E47185)
- CSA certified, class 1611 01 (LR31393)
- Provision for grounding
- Skeleton-frame construction
- **Patented Advantek II diffusion system**
- **Tapered high efficiency fan system**
- The Lamb vacuum motor line offers a wide range of performance levels to meet design needs

DESCRIPTION

- Single stage
- 120 volts
- 5.7"/145 mm diameter
- Double ball bearings
- Single speed
- Thru-flow discharge
- Thermo-set fan end bracket
- Stamped steel end bracket



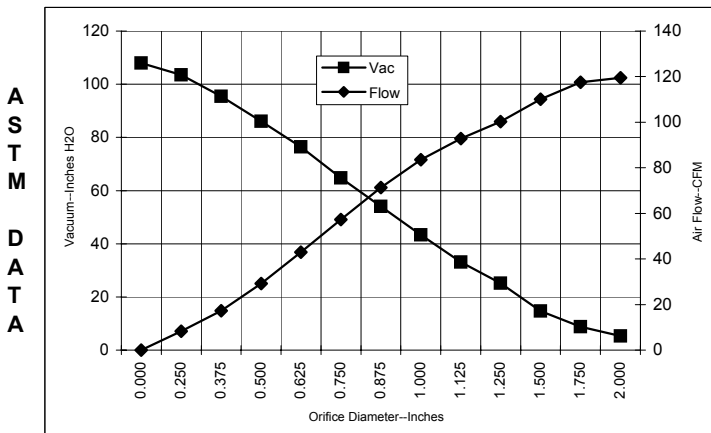
DESIGN APPLICATION

- Equipment operating in environments not requiring separation of working air from motor ventilating air
- Designed to handle clean, dry, filtered air only

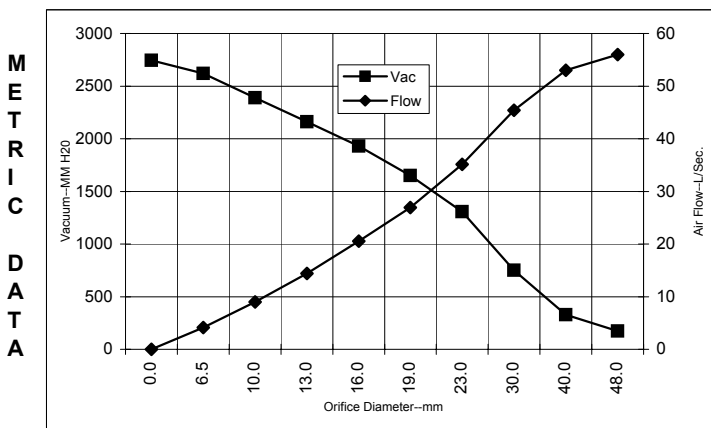


TYPICAL MOTOR PERFORMANCE.*

(At 120 volts, 60Hz, test data is corrected to standard conditions of 29.92 Hg, 68° F.)



Orifice (Inches)	Amps	Watts (In)	RPM	Vac (In.H ₂ O)	Flow (CFM)	Air Watts
2.000	10.0	1153	27630	5.3	119.5	74
1.750	10.1	1170	27680	8.8	117.5	122
1.500	10.2	1175	27760	14.7	110.1	190
1.250	10.1	1169	27920	25.2	100.3	298
1.125	10.0	1159	28000	33.1	92.8	361
1.000	9.9	1149	28330	43.3	83.5	425
0.875	9.7	1121	28780	54.1	71.4	453
0.750	9.3	1077	29430	64.8	57.3	436
0.625	8.7	1013	30460	76.4	43.0	386
0.500	8.0	936	31920	86.1	29.2	295
0.375	7.1	836	33670	95.5	17.3	194
0.250	6.5	760	35420	103.5	8.3	101
0.000	6.0	704	37050	108.0	0.0	0



Orifice (mm)	Amps	Watts (In)	RPM	Vac (mm H ₂ O)	Flow (L/Sec)	Air Watts
48.0	10.1	1160	27652	173	56.0	95
40.0	10.2	1174	27736	328	53.0	170
30.0	10.1	1164	27964	750	45.4	333
23.0	9.7	1128	28668	1306	35.1	446
19.0	9.2	1076	29451	1652	26.9	435
16.0	8.7	1016	30419	1929	20.6	388
13.0	8.1	944	31774	2162	14.4	304
10.0	7.2	851	33408	2390	9.0	209
6.5	6.5	764	35333	2619	4.1	106
0.0	6.0	704	37050	2743	0.0	0

Note: Metric Performance data is calculated from the ASTM data above.

* Data represents performance of a typical motor sampled from a large production quantity. Individual motor data may vary due to normal manufacturing variations.

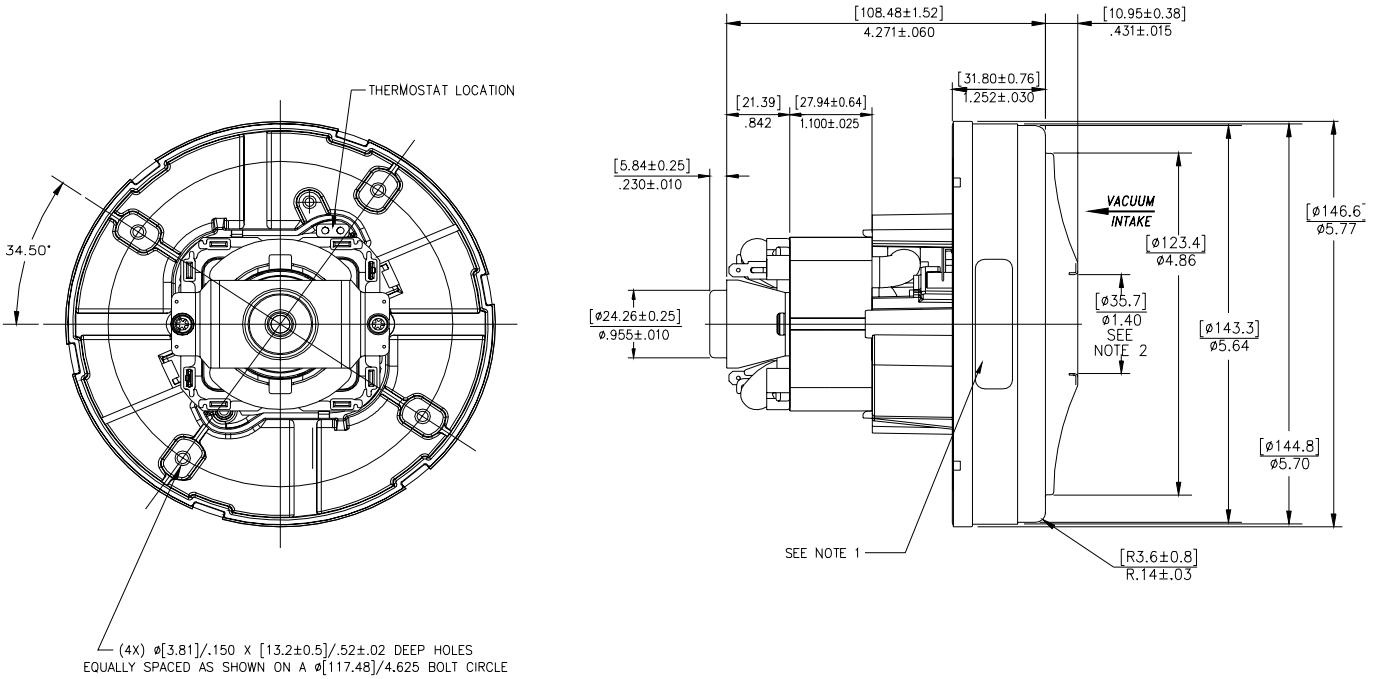
Test Specs:	120 volts	Minimum Sealed Vacuum:	TBD	ORIFICE:	7/8 "	Minimum Vacuum:	TBD	Maximum Watts:	TBD
-------------	-----------	------------------------	-----	----------	-------	-----------------	-----	----------------	-----



DIMENSIONS

NOTES:

1. MOTOR IDENTIFICATION: MANUFACTURER'S NAME, MODEL NUMBER, VOLTAGE, FREQUENCY, INSPECTOR'S CODE WITH "FF" SUFFIX, DATE OF MANUFACTURE, AGENCY RECOGNITION CODE, PLANT LOCATION CODE, "CLASS F" AND CUSTOMER MODEL NUMBER "TBD".
2. MOUNTING MUST NOT RESTRICT THIS DIAMETER.



Advantek II - Plus

IMPORTANT NOTE: Pictorial and dimensional data are subject to change without notice. Contact factory for current revision levels.

WARNING - AMETEK Lamb Electric thru-flow vacuum motors must never be used in applications in which wet or moist conditions are involved, where dry chemicals or other volatile materials are present, or where airflow may be restricted or blocked. Such motors are designed to permit the vacuumed air to pass over the electrical winding to cool it. Thus any foam, liquid (including water), dry chemical, or other foreign substance coming in contact with electrical conductors could cause combustion (depending on volatility) or electrical shock. Failure to observe these precautions could result in property damage and severe personal injury, including death in extreme cases. All applications incorporating Lamb Electric motors should be submitted to Underwriters Laboratories Inc. or other appropriate organizations or agencies for testing specifically related to the safety of your equipment.

AMETEK/Lamb Electric Division
 627 Lake Street
 Kent, Ohio 44240
 U.S.A.
 Tel: (330) 673-3786 Fax: (330) 677-3812
www.lambelectric.com