

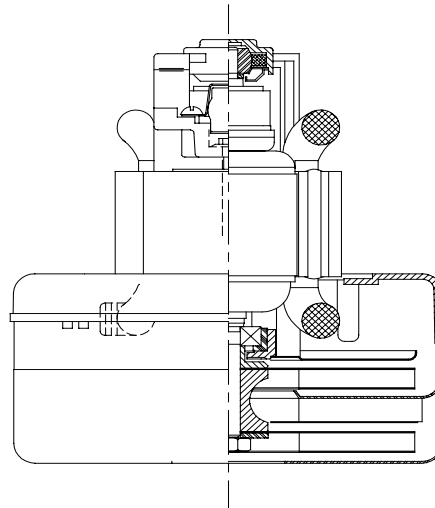


**DESCRIPTION**

- Two stage
- 120 volts
- 5.7"/145 mm diameter
- Ball/sleeve bearings
- Single speed
- Thru-flow discharge
- Aluminum fan end bracket
- Aluminum commutator bracket

**DESIGN APPLICATION**

- Equipment operating in environments not requiring separation of working air from motor ventilating air
- Designed to handle clean, dry, filtered air only



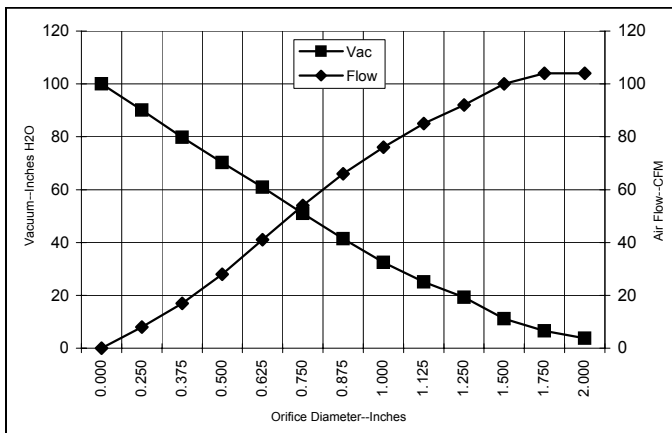
**SPECIAL FEATURES**

- Suitable for 120 volt AC operation, 50/60 Hz
- UL recognized, category PRGY2 (E47185)
- CSA certified, class 1611 01 (LR31393)
- Provision for grounding
- Skeleton-frame design
- Thermal protection, automatic reset, UL category XEWR2 (E27701)
- The Lamb Electric vacuum motor line offers a wide range of performance levels to meet design needs

**TYPICAL MOTOR PERFORMANCE.\***

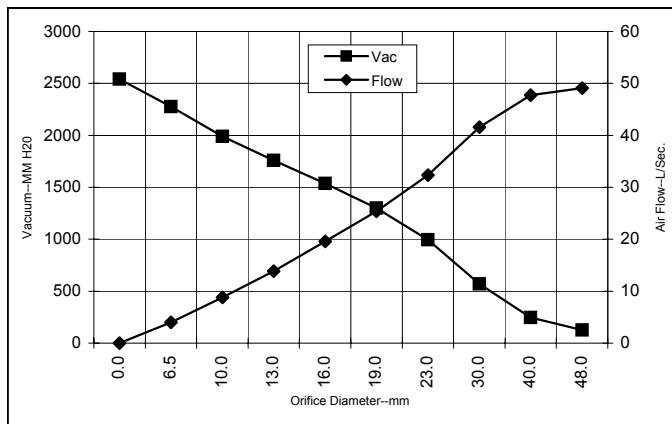
(At 120 volts, 60Hz, test data is corrected to standard conditions of 29.92 Hg, 68° F.)

**ASTM DATA**



Orifice (Inches)	Amps	Watts (In)	RPM	Vac (In.H <sub>2</sub> O)	Flow (CFM)	Air Watts
2.000	8.8	1016	19880	3.8	104.0	46
1.750	8.8	1025	19790	6.5	104.0	80
1.500	8.9	1034	19710	11.1	100.0	132
1.250	9.0	1043	19620	19.2	92.0	207
1.125	9.0	1041	19660	25.1	85.0	250
1.000	8.9	1031	19790	32.4	76.0	290
0.875	8.8	1014	19990	41.4	66.0	320
0.750	8.4	975	20400	51.0	54.0	321
0.625	7.8	912	21110	60.9	41.0	291
0.500	7.1	841	22070	70.2	28.0	231
0.375	6.5	765	23280	79.8	17.0	158
0.250	5.8	694	24660	90.1	8.0	84
0.000	5.4	642	25800	100.0	0.0	0

**METRIC DATA**



Orifice (mm)	Amps	Watts (In)	RPM	Vac (mm H <sub>2</sub> O)	Flow (L/Sec)	Air Watts
48.0	8.8	1020	19840	127	49.1	61
40.0	8.9	1031	19734	247	47.8	116
30.0	9.0	1042	19642	570	41.6	231
23.0	8.8	1018	19940	994	32.3	313
19.0	8.4	974	20414	1300	25.4	320
16.0	7.8	915	21082	1537	19.6	292
13.0	7.2	848	21974	1759	13.8	237
10.0	6.6	776	23099	1990	8.8	169
6.5	5.8	698	24591	2275	4.0	88
0.0	5.4	642	25800	2540	0.0	0

Note: Metric performance data is calculated from the ASTM data above.

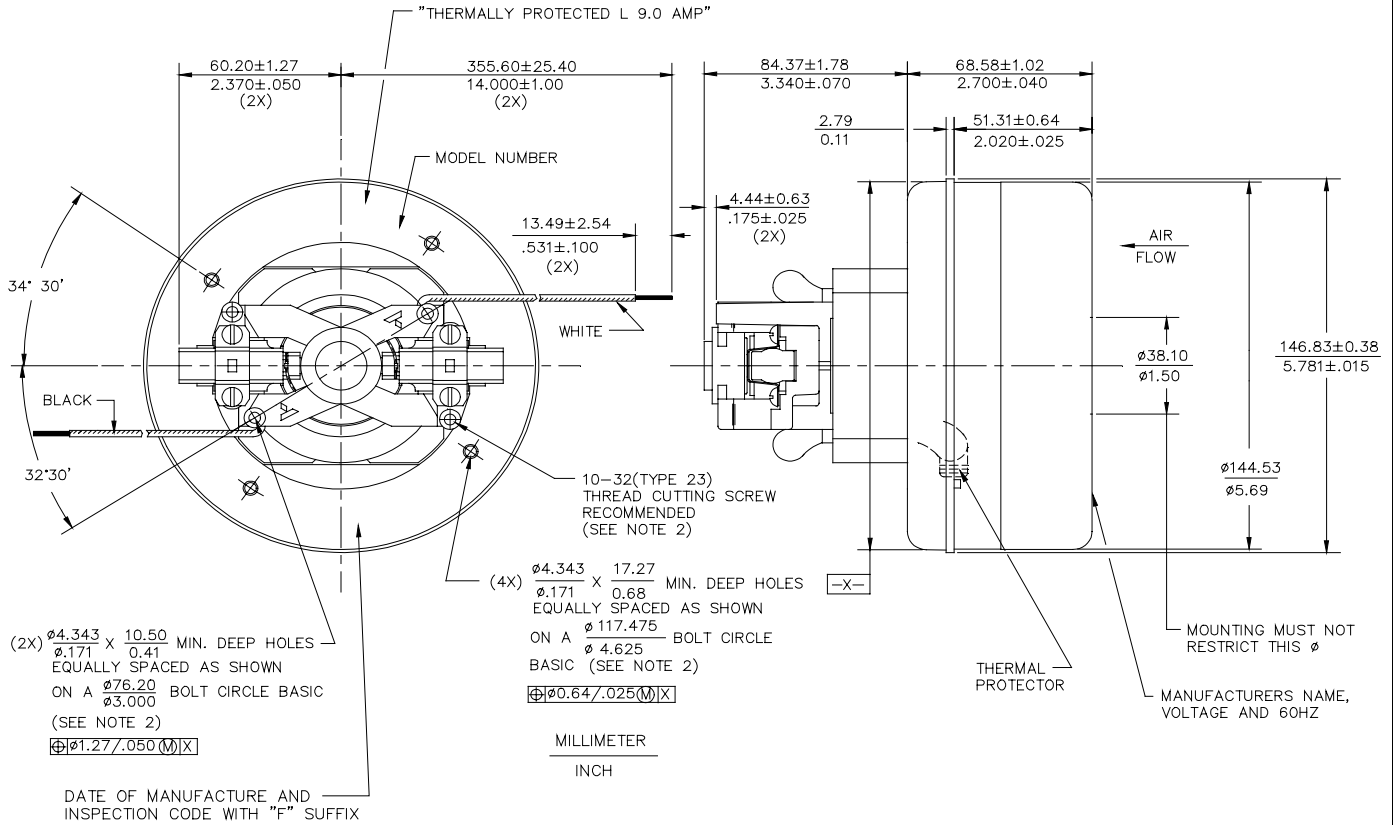
\* Data represents performance of a typical motor sampled from a large production quantity. Individual motor data may vary due to normal manufacturing variations.

<b>Test Specs:</b>	<b>120 volts</b>	<b>Minimum Sealed Vacuum:</b>	<b>95.0"</b>	<b>ORIFICE:</b>	<b>7/8 "</b>	<b>Minimum Vacuum:</b>	<b>37.0"</b>	<b>Maximum Watts:</b>	<b>1130</b>
--------------------	------------------	-------------------------------	--------------	-----------------	--------------	------------------------	--------------	-----------------------	-------------

**DIMENSIONS**

NOTES:

1. LEADS: BLACK AND WHITE, 18GA. STRANDED (BLACK LEAD IS THERMAL PROTECTOR LEAD.)
2. GROUNDING OR EARTHING PROVISIONS: USE HOLES AS INDICATED FOR GROUNDING OR EARTHING. REFER TO APPROPRIATE LISTING OR REGULATORY AGENCY FOR PROPER METHOD OF GROUNDING OR EARTHING.



**IMPORTANT NOTE:** Pictorial and dimensional data are subject to change without notice. Contact factory for current revision levels.

**WARNING** - AMETEK Lamb Electric thru-flow vacuum motors must never be used in applications in which wet or moist conditions are involved, where dry chemicals or other volatile materials are present, or where airflow may be restricted or blocked. Such motors are designed to permit the vacuumed air to pass over the electrical winding to cool it. Thus any foam, liquid (including water), dry chemical, or other foreign substance coming in contact with electrical conductors could cause combustion (depending on volatility) or electrical shock. Failure to observe these precautions could result in property damage and severe personal injury, including death in extreme cases. All applications incorporating Lamb Electric motors should be submitted to Underwriters Laboratories Inc. or other appropriate organizations or agencies for testing specifically related to the safety of your equipment.

**AMETEK/Lamb Electric Division**  
 627 Lake Street  
 Kent, Ohio 44240  
 U.S.A.  
 Tel: (330) 673-3451  
 Fax: (330) 673-8994

**Ametek GmbH**  
 P. O. Box 1251  
 D-71667 Marbach  
 Germany  
 Phone: + 49-714-484-9512  
 Fax: + 49-714-484-9513

**AMETEK/Singapore Private Limited**  
 10 Ang Mo Kio Street 65  
 # 05-12 Techpoint  
 Singapore 2056  
 Tel: + 65-484-2388  
 Fax: + 65-481-6588